

# Rocker Switch

**Q-2098**

TYPE: **R13-112LP**  
**Rocker**

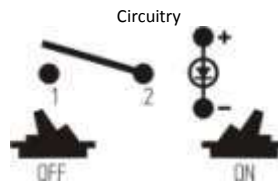
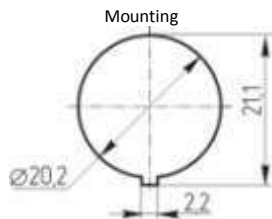
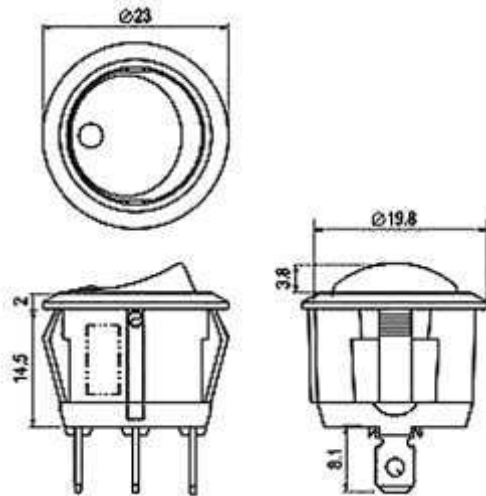
LP



## SPECIFICATIONS

Rating: 16A 125V AC; 10A 250V AC  
Contact R: 50mΩ max  
Insulation R: 500V DC 100MΩ min  
Dielectric Strength: 1 Minute 1500V AC  
Operating Temperature: -25°C ~ +85°C  
Electrical Life: 10, 000 Cycles

Outline Drawing



**4P SPST**  
**(LED)**