

Key Switch

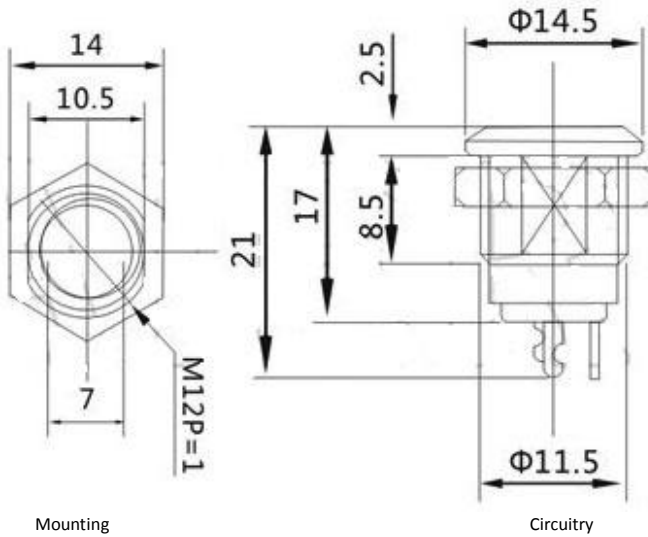
Q-9751

TYPE: **KS02P-102**

SPECIFICATIONS

Positions: 3
Pole: 3
Rating: 0,5A 12V DC
Life: 20 000 cycle

Outline Drawing



Mounting

Circuitry

