

NINGBO TIANBO GANGLIAN ELECTRONICS CO., LTD

TRV4

SPECIFICATION

FILE NUMBER: T810S-A001A

DATE: 2004/06/25

■ CONTACT DATA

Contact Form	1A/1C	1B
Contact Material	Silver Alloy	
Contact Ratings	NO:40A 14VDC NC:30A 14VDC	
Max Switching Voltage	30VDC	
Max Switching Current	40A	
Max Switching Power	560W	
Contact Resistance	100mΩ Max	at 6VDC 1A
Life Expectancy Electrical	100, 000	Operations(at30Operations/minute)
Mechanical	10, 000, 000	Operations

■ GENERAL DATA

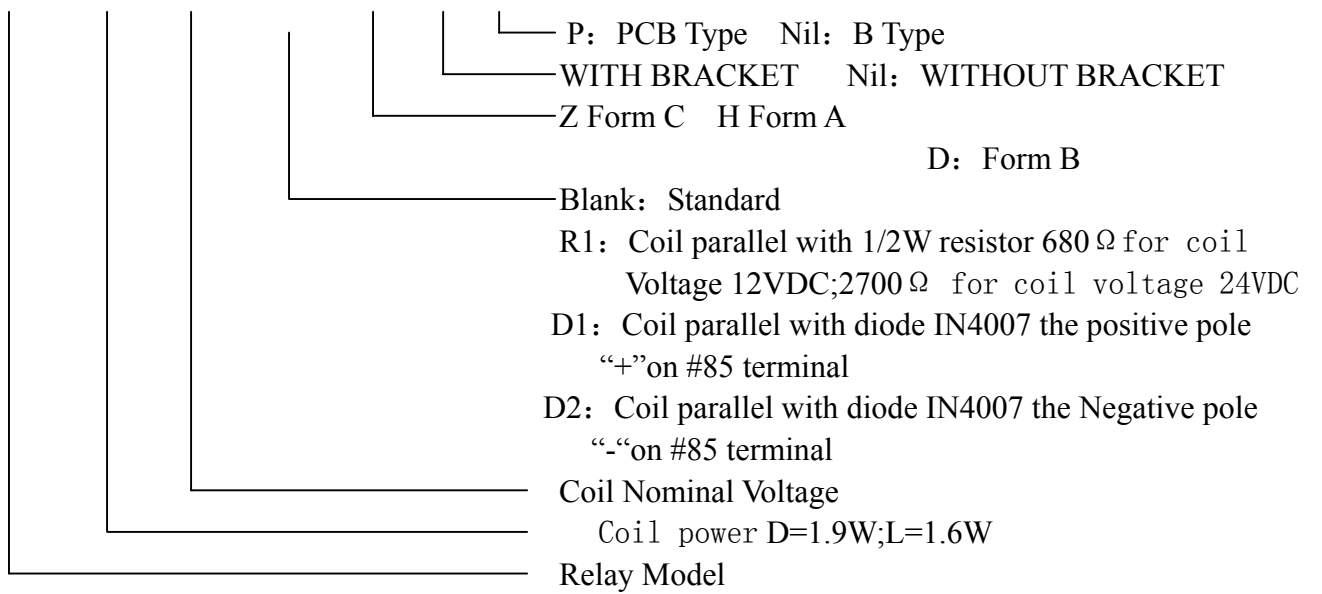
Insulation Resistance	100MΩ Min	at 500VDC
Dielectric Strength Between Open Contacts	500VAC(for one minute)	
Between Contacts and coil	750VAC(for one minute)	
Operate Time	10ms	
Release Time	10ms	
Temperature Range	-40°C to +70°C	
Shock Resistance	20G	11ms
Vibration Resistance	10-55Hz, 1.5mm	
Humidity	40-85%	
Weight	Approx 40g	
Safety Standard		

■ COIL DATA

Nominal Voltage (VDC)	Coil Resistance at 20°C ±10% (Ω)		Max Operate Voltage (VDC)	Min Release Voltage (VDC)	Max Applicable Voltage (VDC)
	1.6W	1.9W			
3	5.6	4.7	1.95	0.3	3.9
5	15.6	13	3.25	0.5	6.5
6	22.5	19	3.9	0.6	7.8
12	90	75.8	7.8	1.2	15.6
24	360	303.2	15.6	2.4	31.2

■ ORDERING CODE

TRV4—L—12V (D1)—Z—F—P



OVERALL AND MOUNTING DIMENSIONS

