



Features

- Microminiature relay.
- High sensitive: 200mW.
- High reliability gilt contact.
- Sealed type construction.

Safety Approval

UL, C-UL File No.: E179745
CQC File No.: CQC02001002118

Contact Capacity

Model	SYS1
Nominal switching capacity (res. load)	3A 120VAC
Max. switching current	3A
Max. switching voltage	125VAC
Max. switching power	360VA

Charateristic Data

Contact material	Silver alloy	
Initial contact resistance (at 6VDC 1A)	100mΩ Max.	
Operate time (at nominal volt.)	SYS1-D: 8msec. Max.	SYS1-L: 10msec. Max.
Release time (at nominal volt.)	4msec. Max.	
Initial insulation resistance	100MΩ Min.(DC500V)	
Initial dielectric strength	Between open contacts: AC500V, 50/60Hz 1Min.	
	Between coil and contact: AC750V, 50/60Hz 1Min.	
Vibration resistance	Functional	10 ~ 55Hz at double amplitude of 1.5 mm
	Destructive	10 ~ 55Hz at double amplitude of 1.5 mm
Shock resistance	Functional	10G Min.
	Destructive	50G Min.
Endurance (operations)	Mechanical (at 10,800 ops./h)	10,000,000
	Electrical (at 1,800 ops./h)	100,000
Ambient temperature	-30°C ~ +70°C (no condensation)	
Unit weight	Approx. 3.7 g	

Coil Data (at 20°C)

Nominal voltage (VDC)	Nominal operating current ± 10% (mA)	Coil resistance ± 10% (Ω)	Max. allowable voltage	Pick-up voltage (Max.)	Drop-out voltage (Min.)	Nominal operating power
3	120.00	25	130 % of nominal voltage	75 % of nominal voltage	5 % of nominal voltage	0.36W
5	71.43	70				
6	60.00	100				
9	40.00	225				
12	30.00	400				
24	15.00	1,600				

Coil Data (at 20°C)

Nominal voltage (VDC)	Nominal operating current ± 10% (mA)	Coil resistance ± 10% (Ω)	Max. allowable voltage	Pick-up voltage (Max.)	Drop-out voltage (Min.)	Nominal operating power
3	66.67	45	130 % of nominal voltage	75 % of nominal voltage	5 % of nominal voltage	0.20W
5	40.00	125				
6	33.33	180				
9	22.22	405				
12	16.67	720				
24	8.33	2,880				
3	150.00	20				0.45W
5	90.00	55				
6	75.00	80				
9	50.00	180				
12	37.50	320				
24	18.75	1,280				

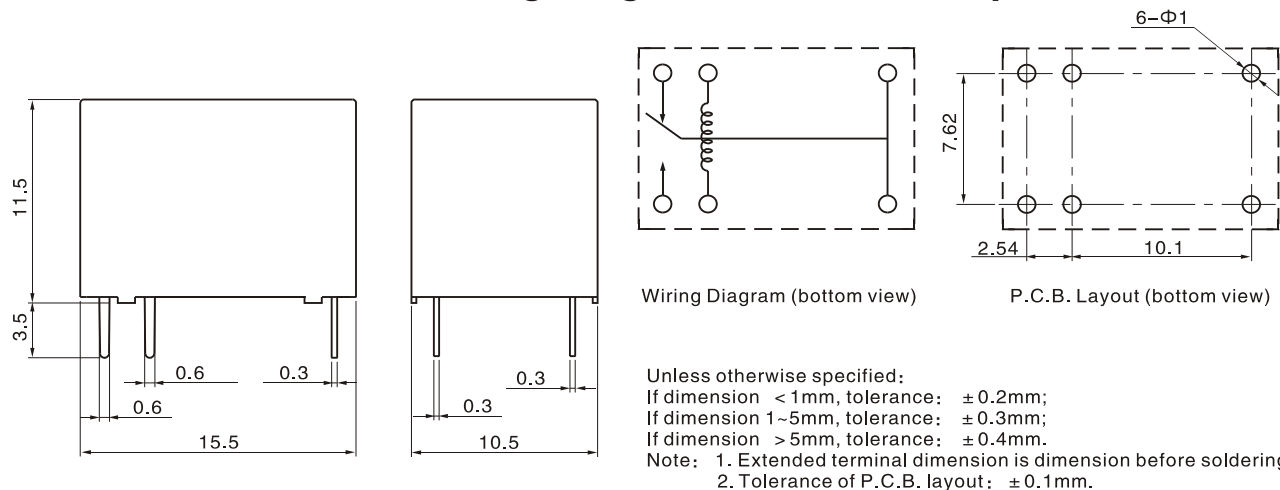
Safety Approval Ratings

Approval	CQC	UL/CUL
File No.	CQC02001002118	E179745
Approved ratings	1 A 125VAC	3A 120VAC 3A 24VDC 1A 120VAC

Ordering Information

Nomenclature						
SYS1	-S	-1	12	D	-F	-XX
Special Parameter: Nil-Standard type, Letter or number-Special requirement						
Insulation System: Nil-Standard, B-Class B, F-Class F						
Coil Power: D-0.36W, L-0.20W, Nil-0.45W						
Coil Voltage (VDC): 03, 05, 06, 09, 12, 24						
Number of Poles: 1-1 Pole						
Protective Construction: S-Flux proofed, SH-Sealed type washable						
Type Designation: SYS1						

Outline Dimensions, Wiring Diagram, P.C. board layout (unit: mm)



Typical Applications

- Telecommunication equipment
- Office equipment
- Home appliances
- Audio equipment, etc.

Characteristic Curves

