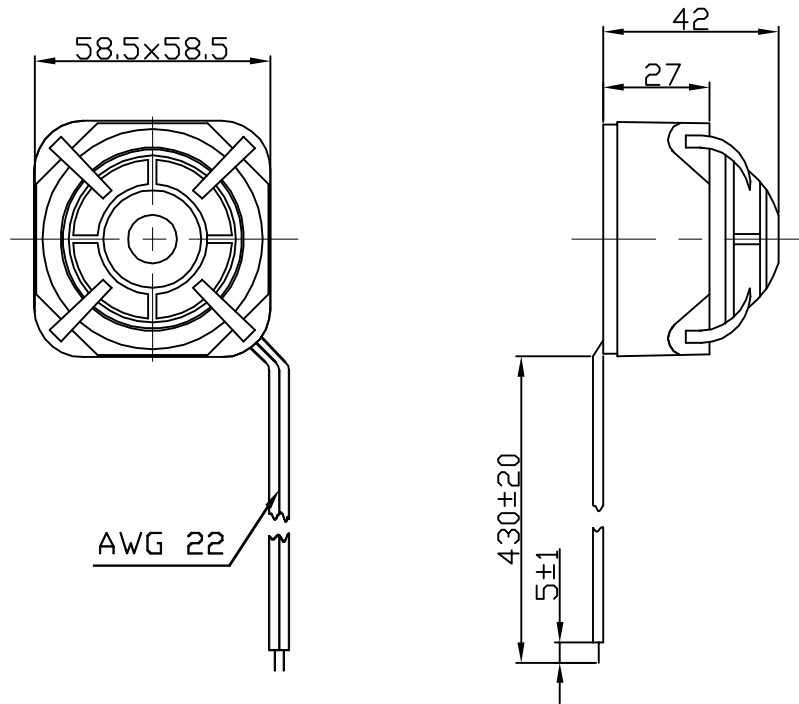


Specification (Test Condition, 25 °C)

1. Housing Material/ Color..... ABS / Black
2. Voice Coil Impedance 6 Ohm (at 1 KHz)
3. Voice Coil Dimension Ø 25.4 mm(Dia.)
4. Magnet Size Ø24.5*3.5 mm(Dia.* dia.*H)
5. Power Rating RMS 10 W
6. Power Rating Peak 15 W
7. S.P.L. min. 103 dB(at 1 meter/1W)
8. Rated Frequency Range.....500 ~ 8500Hz
9. Load Test 8 Hours
- 10.Heat Test 8 Hours (at 60°C)
- 11.Operating Temperature range -20 ~ +60°C
- 12.Store Temperature-20~ +70°C
- 13.Wires Connection Red ,Black (Non-polarized)
- 14.Weight110 ±10 g



				KEPO NINGBO KEPO ELECTRONIC CO.,LTD http://www.chinaacoustic.com		
				Electronic Horn		
				SH-59		
No.	DESCRIPTION	APPROVED	DATE			
<small>TOLERANCES UNLESS NOTED OTHERWISE: X . * XX + * XXX * 90° FORMED +2° ANGLES ±1° FIRST ANGLE PROJECTION</small>		APPROVALS		DATE		
		DRAWN			UNIT	DWG NO.
		CHECKED			mm	KP4.840.436
		APPROVED		05.10.07	SCALE	NOT TO SCALE