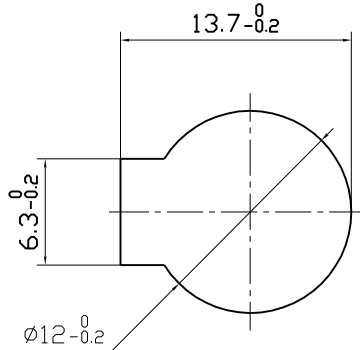


1 2 3 4 5 6 7 8

A

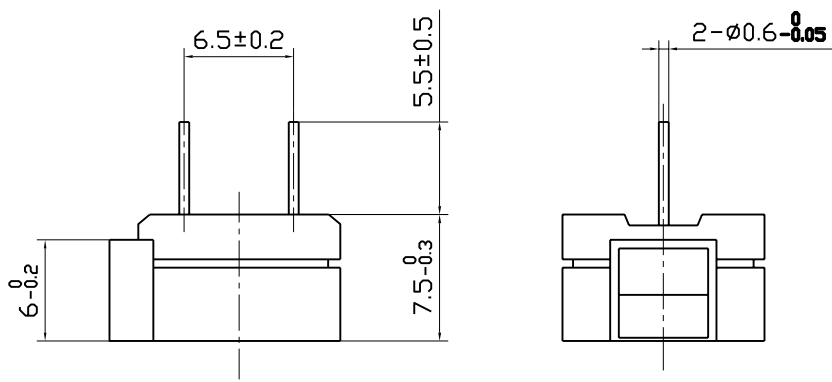


B

SPECIFICATION

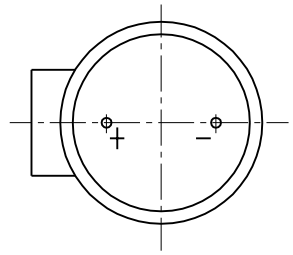
- 1. Rated Voltage.....1.5V
- 2. Operating Voltage.....1-2V
- 3. Max. Rated Current.....70mA
- 4. Coil Resistance.....6.5±1 Ω
- 5. Coil Impedance22 Ω
- 6. Min. Sound Pressure Level.....94dB/10cm
- 7. Resonant Frequency.....2650Hz
- 8. Case Material.....MPPO
- 9. Operating Temperature.....-20~+70°C
- 10. Store Temperature.....-30~+80°C
- 11. Weight.....2g

C



D

E



F

				KEPO NINGBO KEPO IMPROVING ELECTRONIC CO.,LTD http://www.chinaacoustic.com	
No.	DESCRIPTION	APPROVED	DATE	Magnetic Buzzer	
		APPROVALS	DATE	KP12-04B2A1	
<small> TOLERANCES UNLESS NOTED OTHERWISE X ± XX ± XXX ± 90° FORMED ±2° ANGLES ±° </small>		DRAWN		UNIT	DWG NO.
FIRST ANGLE PROJECTION		CHECKED		mm	KP3.840.671
		APPROVED		SCALE	SHEET
			04.01	NOT TO SCALE	VER 1.1

1 2 3 4 5 6 7 8