

# SPECIFICATION FOR APPROVAL

## 规 格 书

Product	MAGNETIC BUZZER( RoHS Grade )
Part No.	SN1212GP
Customer Approval	

Approved By

工程部

钱万进

April-29-2018

Checked By

工程部

王继勇

April-29-2018

Made By

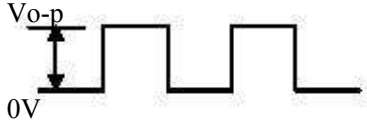
工程部

易申

April-29-2018

# 1. Specifications

AC-1205G-N1LF

Items		Units	Specifications	Conditions
01	Rated Voltage	Vo-p	12	
02	Operating Voltage	Vo-p	7.0 ~ 16.0	
03	Consumption Current	mA (Max)	Min 30	Applying rated voltage, rated frequency Square wave, 1/2 duty subject to standard state.
			Peak 60	
04	Direct Current Resistance	Ohm	140±14	
05	Sound Output	dBA (min)	85	Distance at 10cm, applying rated voltage, rated frequency square wave, 1/2 duty subject to standard state.
06	Rated Frequency	Hz	2400	
07	Operating Temp.	°C	-20 ~ +80	
08	Storage Temp.	°C	-40 ~ +80	
09	Weight	Gram	2	

## 2. Measuring Method

### 2-1. Test Condition

STANDARD

Temperature : 15 ~ 35°C

Relative humidity : 25% ~ 85%,

Atmospheric pressure : 860mbar to 1060mbar.

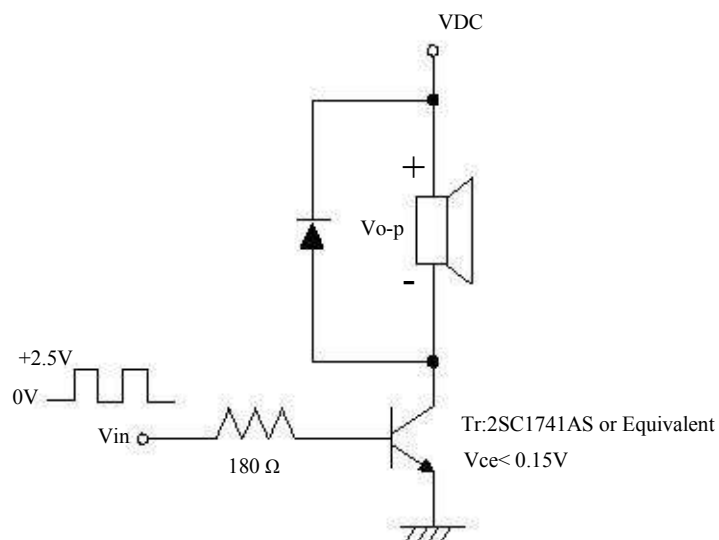
JUDGEMENT

Temperature : 20±3°C

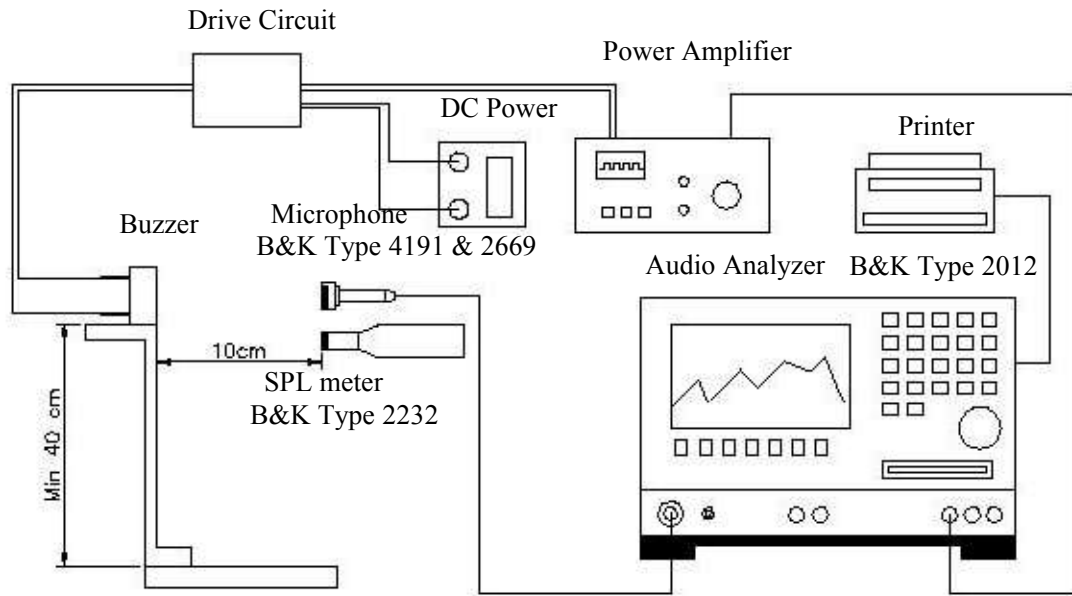
Relative humidity : 60% ~ 70%,

Atmospheric pressure : 860mbar to 1060mbar

### 2-2. Standard Drive Circuit:

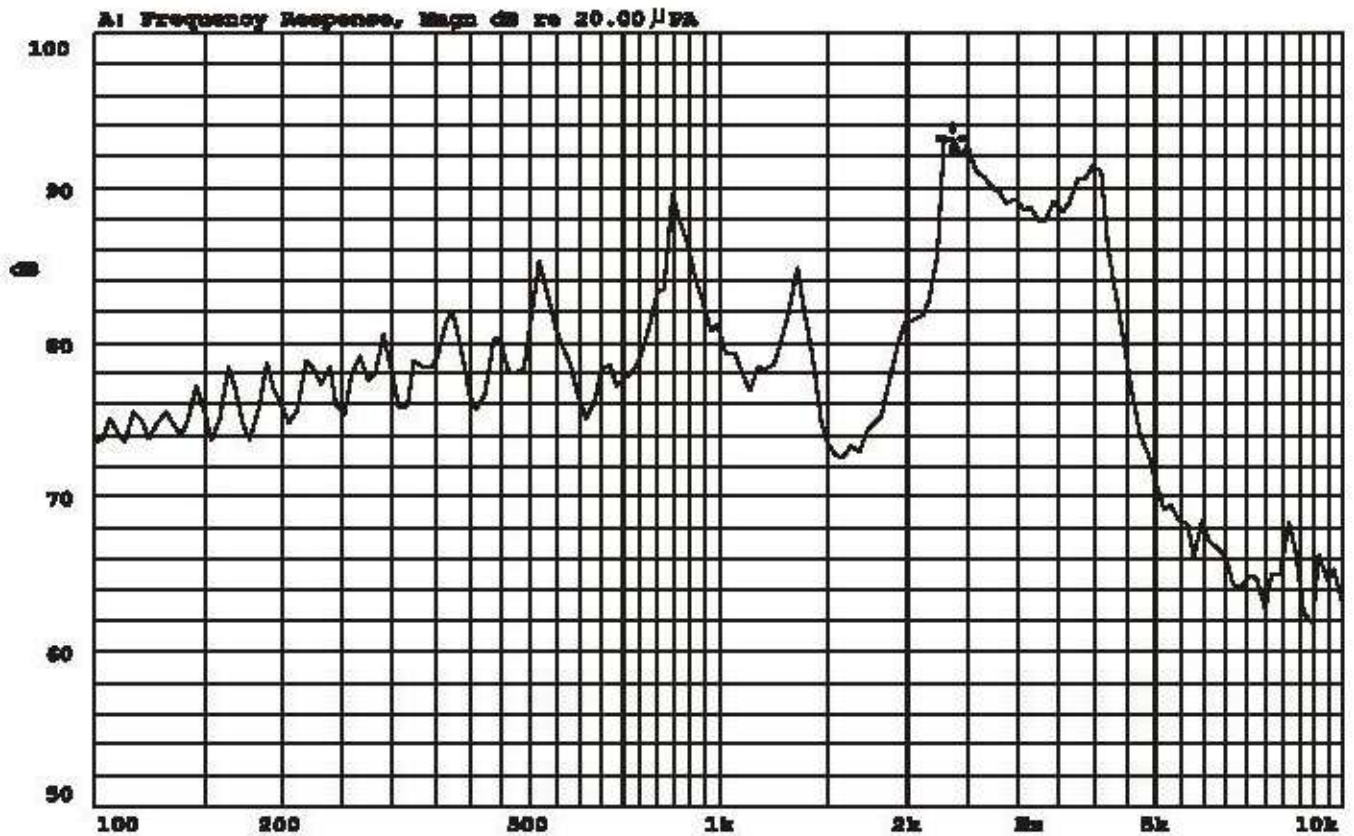


### 2-3. Standard Test Fixture



### 2-4. Frequency Response Curve

X: 2.3714kHz Y: 92.12dB SA: Live Curve SRR T. 2000

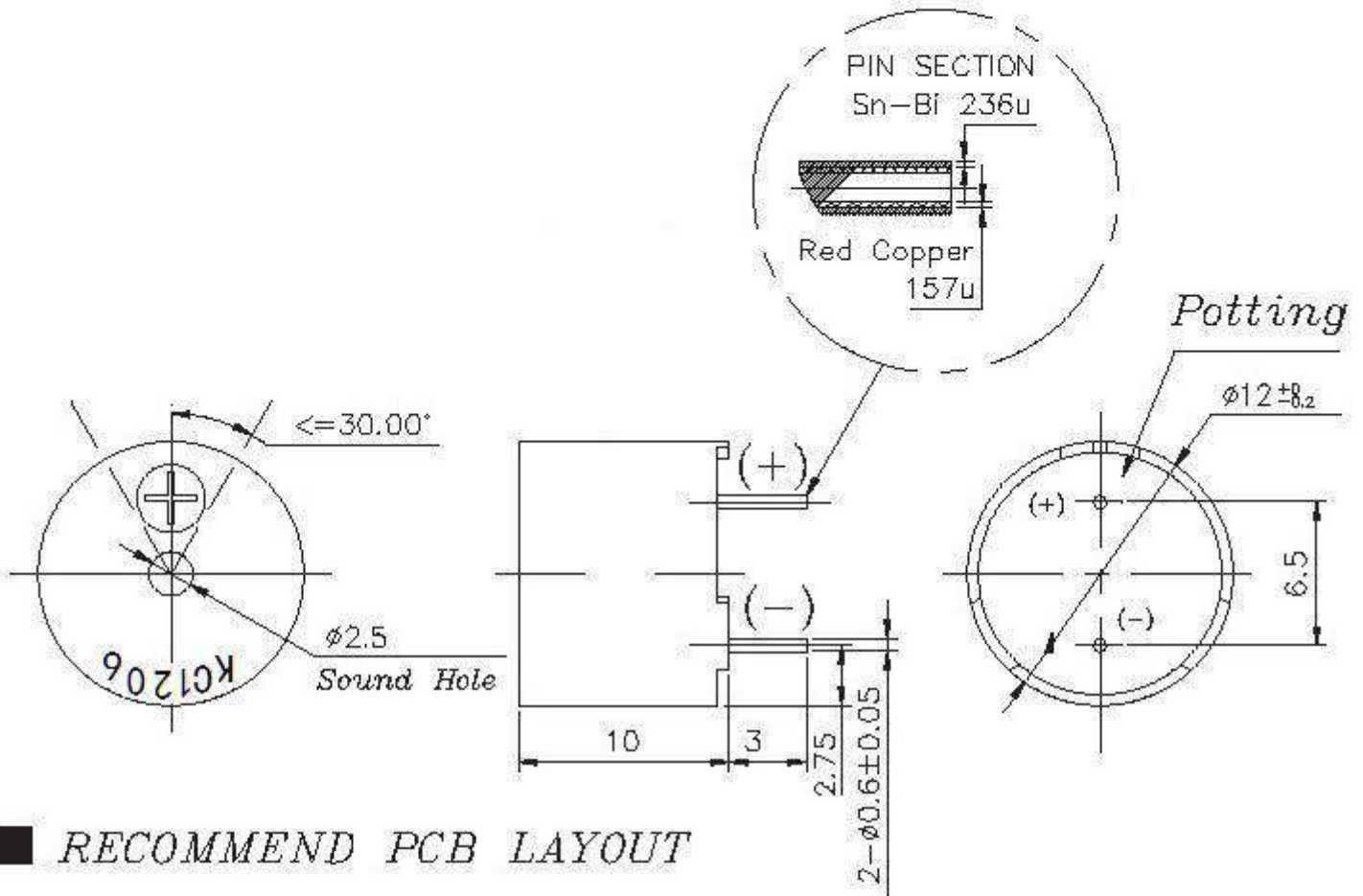


Model: 800

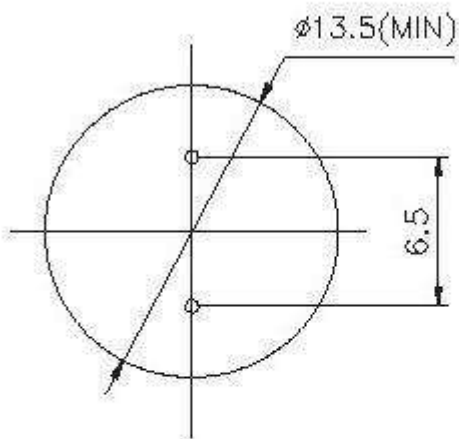


# ※ WAVE SOLDER AND WASH ALLOWED.

## ■ DIMENSION

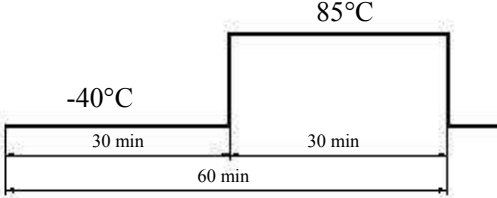
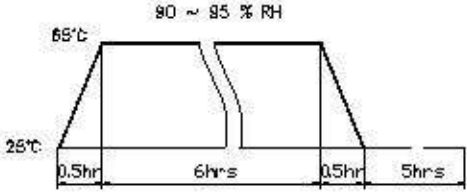


## ■ RECOMMEND PCB LAYOUT



TITLE: MAGNETIC BUZZER		DRAWN: 04/18/2007	SCALE: 3:1	SHEET: 1 OF 1
PART NO. SN1212GP	1	DESIGNED: R&D OF AAT	UNITS: mm	
DWG NO. DTE-1140		CHECKED:	TOLERANCE $\pm 0.3$	
REV		APPROVAL:	UNLESS OTHERWISE SPECIFIED: ONE PLACE DECIMAL $\pm$ *** TWO PLACE DECIMAL $\pm$ *** THREE PLACE DECIMAL $\pm$ ***	
		MATERIAL: ABS		

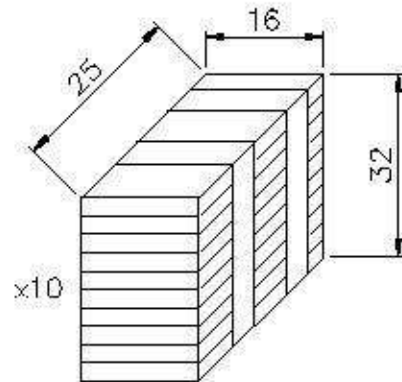
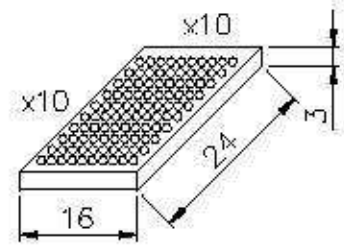
## 4. RELIABILITY TEST

Item	Test conditions	Evaluation standard
01 High temp.Storage life	The part shall be capable of withstanding a storage Temperature of 85°C for 96 hours.	After the test the part shall meet specifications without Any degradation in appearance and performance except S.P.L S.P.L shall be 77dB or more.
02 Low temp.Storage life	The part shall be capable of withstanding a storage Temperature of -40°C for 96 hours.	
03 Temp. cycle	<p>The part shall be subjected 10 cycles. One cycle shall consist of;</p> 	
04 Temp./Humidity cycle	<p>The part shall be subjected 10 cycles. One cycle shall be 12 hours and consist of;</p> 	
05 Operating life	<p>Rated Voltage,Frequency applied.</p> <ol style="list-style-type: none"> <li>1. Ordinary temperature The part shall be subjected to 1000 hours at room temperature (25 ±10°C)</li> <li>1. High temperature The part shall be subjected to 500 hours at 75°C</li> <li>2. Low temperature The part shall be subjected to 500 hours at -30°C</li> </ol>	
06 Vibration	The part shall be subjected to a vibration cycle of 10Hz to 55Hz to 10Hz in a period of 1 minute. Total peak amplitude shall be 1.52mm (9.3G). The vibration test shall consist of 2 hours per plane in each three mutually perpendicular planes for a total time of 6 hours.	

Item	Test conditions	Evaluation standard
07 Fixed drop	The part shall be mounted on standard pc board and dropped from a height of 152cm onto a concrete floor 5 times in each 6 planes.(a total of 30 times)	After the test the part shall meet specifications without Any degradation in appearance and performance except S.P.L S.P.L shall be 77dB or more.
08 Free drop	The part only shall be dropped from a height of 75cm onto a 40mm thick wooden board 3 times in 3 axes (X.Y.Z). (a total of 9 times).	
09 Solder ability	Hand Soldering : $360\pm 5^{\circ}\text{C}$ / 2 Sec.	
10 Solder heat resistance	Soldering into solder bath : $350\pm 5^{\circ}\text{C}$ / 3 Sec	
11 Lead strength	Pull lead with a force of 10N, on the direction of the lead axis for 10 : $10\pm 1$ sec	
12 Washability	Solvent : <u>deionized</u> water Solvent temp. : $55\pm 5^{\circ}\text{C}$ Soaking time : $5\pm 0.5$ min.	

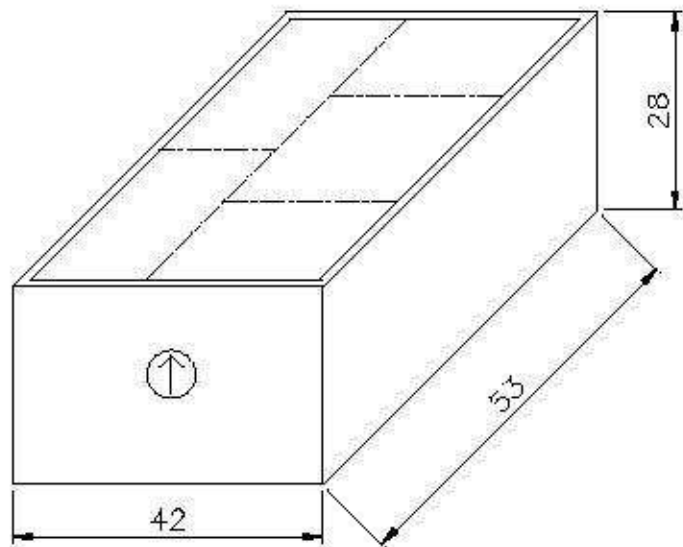
1 FLAT = 100 PCS.

1 LOT = 10 FLATS.  
=1K PCS.



1 BOX = 5 LOTS  
=5K PCS.

Gross Weight :10Kgw.  
Net Weight :11.5Kgw.  
MADE IN CHINA



TITLE: <i>PACKING</i>		DRAWN: <i>01/03/2007</i>	SCALE:	SHEET:
PART NO. <i>AC-12 SERIAL</i>		DESIGNED: <i>R&amp;D OF AAT</i>	UNITS: <i>cm</i>	
DWG NO.	1 REV	CHECKED:	TOLERANCE ±	
		APPROVAL:	UNLESS OTHERWISE SPECIFIED:	
		MATERIAL: <i>*****</i>	ONE PLACE DECIMAL ± ***	
			TWO PLACE DECIMAL ± ***	
			THREE PLACE DECIMAL ± ***	

Ningbo Shai nor Electronics CO., LTD

