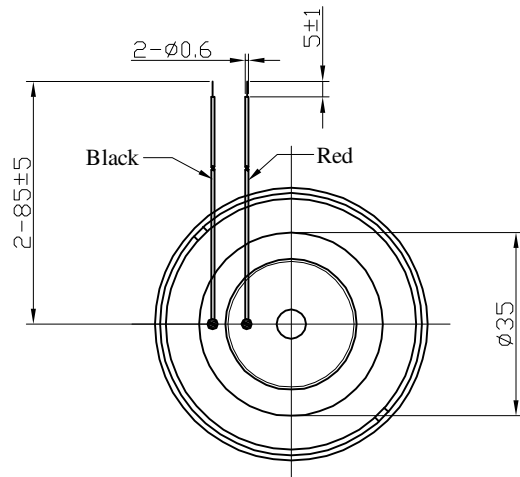
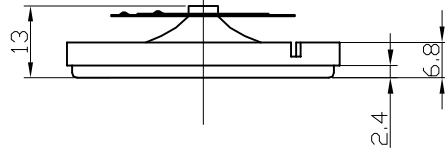
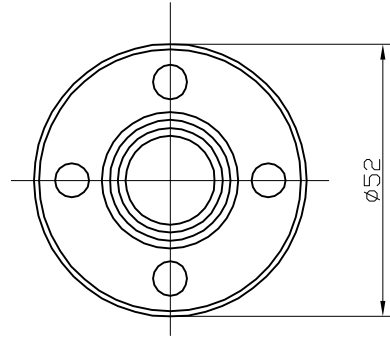


Specification (Test Condition, 25 °C)

1. Rated Voltage 12Vp-p Square Wave
2. Operating Voltage 30Vp-p Square Wave
3. Max. Rated Current 10mA at 3.4KHz/12Vp-p Square Wave
4. Resonant Frequency 3.0 ± 0.5 KHz
5. Min. Sound Pressure Level 90dB/3.4KHz/12Vp-p Square Wave/30cm
6. Capacitance at 100Hz $28000 \text{pF} \pm 30\%$
7. Shell Material/Color ABS/Black
8. Operating Temperature $-20 \sim +60$ °C
9. Store Temperature $-30 \sim +70$ °C
10. Weight 10g



				KEPO NINGBO KEPO ELECTRONIC CO.,LTD http://www.chinaacoustic.com		
				Electronic Siren		
				SH-5210		
No.	DESCRIPTION	APPROVED	DATE			
<small>TOLERANCES UNLESS NOTED OTHERWISE: X . * XX + * XXX * 90° FORMED +2° ANGLES -1° FIRST ANGLE PROJECTION</small>		APPROVALS		DATE		
		DRAWN			UNIT	DWG NO.
		CHECKED			mm	KP4.840.453
		APPROVED		05.11.25	SCALE	NOT TO SCALE