

Вентиляторы RQA



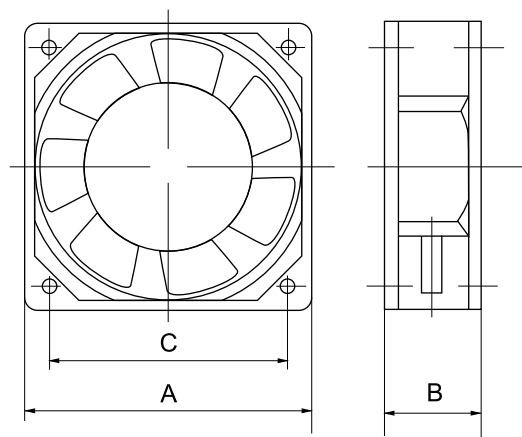
Система обозначений:

RQ A 12038 H B L

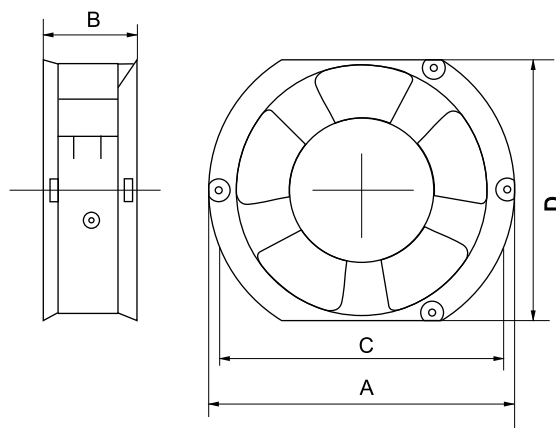


| Модели | Напряжени (V) | Текущи (A) | Мощно сть (W) | Пото к возду ха (CFM) | Оборо ты (RPM) | Уров ень шума (db) | Част ота (HZ) | чертеж № | Размеры | | | |
|----------------|------------------|---------------|---------------------|-----------------------------------|----------------------|-----------------------------|---------------------|-------------|---------|----|-------|------|
| | | | | | | | | | A | B | C | D |
| RQA8025HSL(T) | 110/127 | 0.13/0.11 | 12/11 | 15/18 | 2400/2450 | 28/28.5 | 50/60 | 1 | 80 | 25 | 71,5 | ---- |
| RQA8025HSL(T) | 220/240 | 0.09/0.08 | 14/13 | 15/18 | 2350/2400 | 27/28 | 50/60 | 1 | 80 | 25 | 71,5 | ---- |
| RQA8038HBL(T) | 110/127 | 0.16/0.15 | 13/11 | 23/30 | 2400/2500 | 26/27 | 50/60 | 1 | 80 | 38 | 71,5 | ---- |
| RQA8038HBL(T) | 220/240 | 0.09/0.08 | 15/13 | 23/30 | 2300/2600 | 25/26 | 50/60 | 1 | 80 | 38 | 71,5 | ---- |
| RQA8038HSL(T) | 110/127 | 0.16/0.15 | 13/11 | 23/30 | 2400/2500 | 26/27 | 50/60 | 1 | 80 | 38 | 71,5 | ---- |
| RQA8038HSL(T) | 220/240 | 0.09/0.08 | 15/13 | 23/30 | 2300/2600 | 25/26 | 50/60 | 1 | 80 | 38 | 71,5 | ---- |
| RQA9225HBL(T) | 110/127 | 0.11/0.10 | 14/12 | 32/40 | 2400/2450 | 27/26 | 50/60 | 1 | 92 | 25 | 82,5 | ---- |
| RQA9225HBL(T) | 220/240 | 0.09/0.08 | 14/12 | 32/40 | 2400/2450 | 27/26 | 50/60 | 1 | 92 | 25 | 82,5 | ---- |
| RQA9225HSL(T) | 110/127 | 0.11/0.10 | 16/15 | 28/34 | 2300/2400 | 27/26 | 50/60 | 1 | 92 | 25 | 82,5 | ---- |
| RQA9225HSL(T) | 220/240 | 0.09/0.08 | 16/15 | 28/34 | 2300/2400 | 25/26 | 50/60 | 1 | 92 | 25 | 82,5 | ---- |
| RQA9238HBL(T) | 110/127 | 0.15/0.14 | 13/12 | 50/54 | 2300/2400 | 28/27 | 50/60 | 1 | 92 | 38 | 82,5 | ---- |
| RQA9238HBL(T) | 220/240 | 0.12/0.11 | 18/17 | 50/54 | 2400/2500 | 29/28 | 50/60 | 1 | 92 | 38 | 82,5 | ---- |
| RQA9238HSL(T) | 110/127 | 0.15/0.14 | 13/12 | 50/54 | 2300/2400 | 28/27 | 50/60 | 1 | 92 | 38 | 82,5 | ---- |
| RQA9238HSL(T) | 220/240 | 0.12/0.11 | 18/17 | 50/54 | 2400/2500 | 29/28 | 50/60 | 1 | 92 | 38 | 82,5 | ---- |
| RQA10826HBL(T) | 110/127 | 0.22/0.21 | 16/15 | 30/35 | 2000/2100 | 39/41 | 50/60 | 1 | 108 | 26 | 98 | ---- |
| RQA10826HBL(T) | 220/240 | 0.10/0.09 | 17/16 | 30/35 | 2100/2100 | 40/41 | 50/60 | 1 | 108 | 26 | 98 | ---- |
| RQA10826HSL(T) | 110/127 | 0.22/0.21 | 16/15 | 30/35 | 2000/2100 | 39/41 | 50/60 | 1 | 108 | 26 | 98 | ---- |
| RQA10826HSL(T) | 220/240 | 0.10/0.09 | 17/16 | 30/35 | 2100/2100 | 40/41 | 50/60 | 1 | 108 | 26 | 98 | ---- |
| RQA12025HBL(T) | 110/127 | 0.15/0.14 | 16/15 | 38/42 | 2000/2100 | 37/37.5 | 50/60 | 1 | 120 | 25 | 104,5 | ---- |
| RQA12025HBL(T) | 220/240 | 0.08/0.75 | 19/18 | 38/42 | 2300/2450 | 39/40 | 50/60 | 1 | 120 | 25 | 104,5 | ---- |
| RQA12025HSL(T) | 110/127 | 0.15/0.14 | 16/15 | 38/42 | 2000/2100 | 37/37.5 | 50/60 | 1 | 120 | 25 | 104,5 | ---- |
| RQA12025HSL(T) | 220/240 | 0.08/0.75 | 19/18 | 38/42 | 2300/2450 | 39/40 | 50/60 | 1 | 120 | 25 | 104,5 | ---- |
| RQA12038HBL(T) | 110/127 | 0.24/0.23 | 25/23 | 90/100 | 2600/3100 | 41/44 | 50/60 | 1 | 120 | 38 | 104,5 | ---- |
| RQA12038HBL(T) | 220/240 | 0.14/0.13 | 26/23 | 90/100 | 2650/3180 | 42/47 | 50/60 | 1 | 120 | 38 | 104,5 | ---- |
| RQA12038HSL(T) | 110/127 | 0.24/0.23 | 25/23 | 90/100 | 2600/3100 | 41/44 | 50/60 | 1 | 120 | 38 | 104,5 | ---- |
| RQA12038HSL(T) | 220/240 | 0.14/0.13 | 26/23 | 90/100 | 2650/3180 | 42/47 | 50/60 | 1 | 120 | 38 | 104,5 | ---- |
| RQA12038HSL(T) | 380/400 | 0.07/0.06 | 14/12 | 90/100 | 2600/3100 | 40/43 | 50/60 | 1 | 120 | 38 | 104,5 | ---- |
| RQA12038HS(B)L | 110/220 | 0.14/0.23 | 26/23 | 90/100 | 2650/3180 | 40/41 | 50/60 | 1 | 120 | 38 | 104,5 | ---- |
| RQA15050HBL(T) | 110/127 | 0.47/0.46 | 37/35 | 150/170 | 2400/2800 | 47/47.5 | 50/60 | 2 | 172 | 50 | 163 | 150 |
| RQA15050HBL(T) | 220/240 | 0.23/0.22 | 35/33 | 150/170 | 2400/2800 | 45/46 | 50/60 | 2 | 172 | 50 | 163 | 150 |
| RQA15050HSL(T) | 220/240 | 0.23/0.22 | 35/33 | 150/170 | 2400/2800 | 45/46 | 50/60 | 2 | 172 | 50 | 163 | 150 |
| RQA17051HB | 110/127 | 0.65/0.63 | 55/54 | 150 | 2200/2700 | 65 | 50/60 | 5 | 170 | 51 | 154 | ---- |
| RQA17051HB | 220/240 | 0.30/0.29 | 55/54 | 150 | 2200/2700 | 65 | 50/60 | 5 | 170 | 51 | 154 | ---- |
| RQA17251HB | 110/127 | 0.60/0.59 | 55/54 | 150 | 2200/2700 | 65 | 50/60 | 3 | 172 | 51 | 163 | ---- |
| RQA17251HB | 220/240 | 0.30/0.29 | 55/54 | 150 | 2200/2700 | 65 | 50/60 | 3 | 172 | 51 | 163 | ---- |
| RQA20060HB | 220/240 | 0.31/0.30 | 56/54 | 180/178 | 2000/2050 | 41/42 | 50/60 | 3 | 222 | 60 | 209 | ---- |
| RQA20060HB | 110/127 | 0.38/0.36 | 58/57 | 182/180 | 2100/2200 | 42/43 | 50/60 | 3 | 222 | 60 | 209 | ---- |

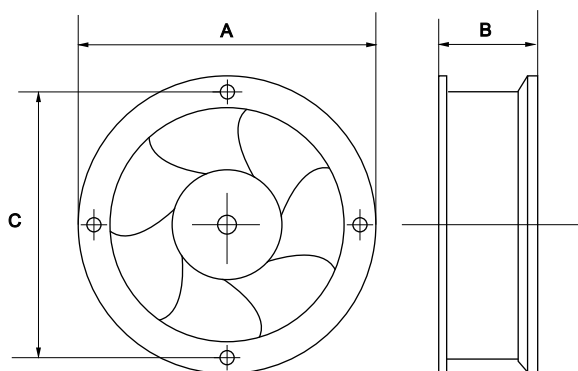
Вентиляторы RQA



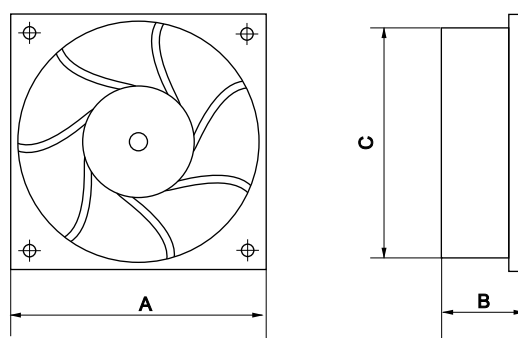
Чертеж № 1



Чертеж № 2



Чертеж № 3



Чертеж № 5