

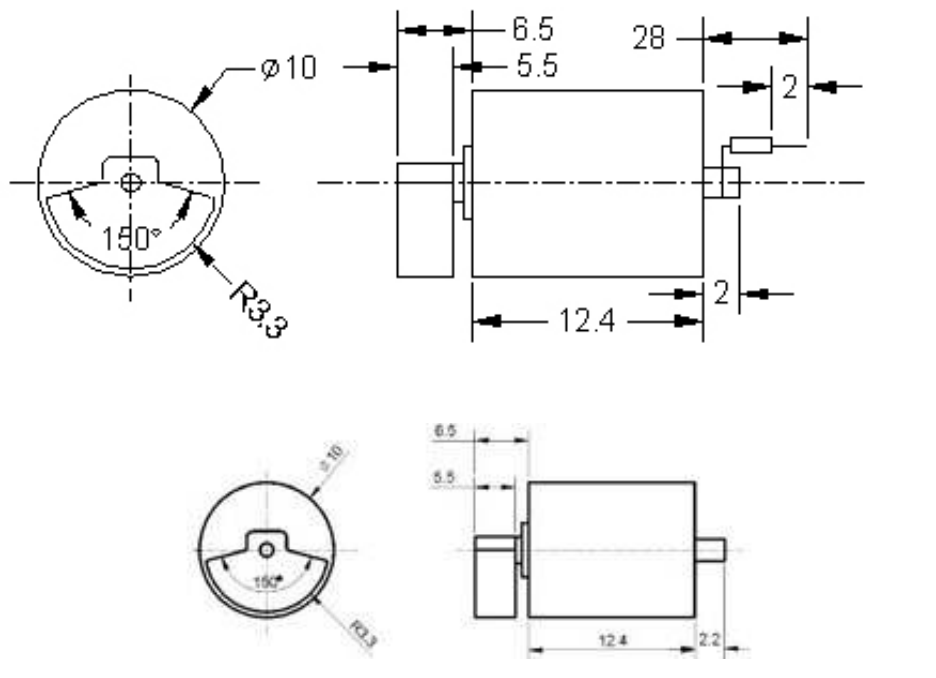
Dimensions



QX-10A



QX-10A-P



Model	Rated Voltage	Operating voltage	Rated Current	Rated Speed	Starting Voltage	Stall current	Terminal Resistance	End play of Shaft	Weight(approx)
	V	V	mA	rpm	V	mA	Ω (approx)	mm	g
QX10	1.3	0.6-1.6	100Max	5000±1000	0.7Max	165Max	9.2	0.1-0.2	5.4
QX10	3	2.0-3.6	85Max	9500±2000	1.4Max	177Max	18.2	0.1-0.2	5.4
QX10A-P	1.5	0.9-1.6	100Max	6500±1000	0.5Max	300Max	6.2	0.1-0.2	5.4

► Dimensions of vibrator and holder can be tailor-made according to the customer's needs