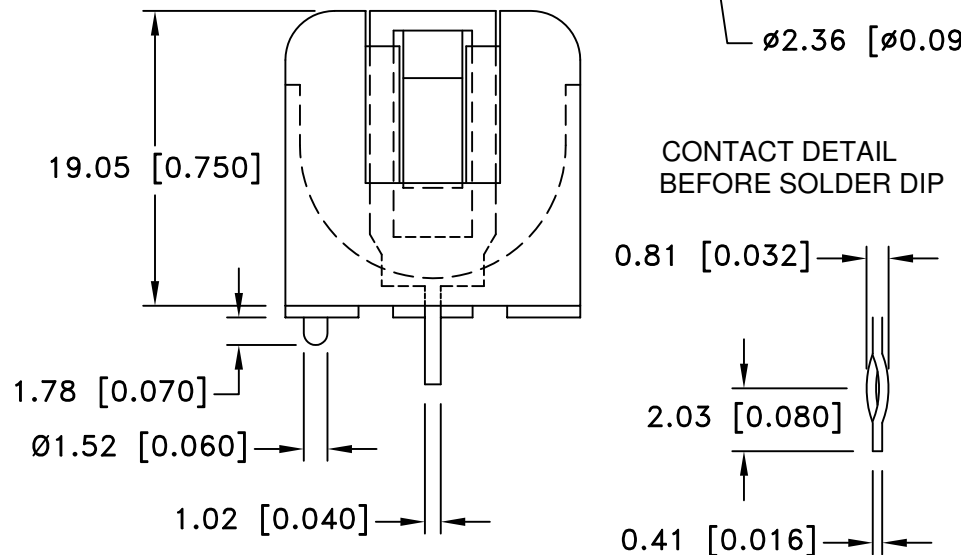
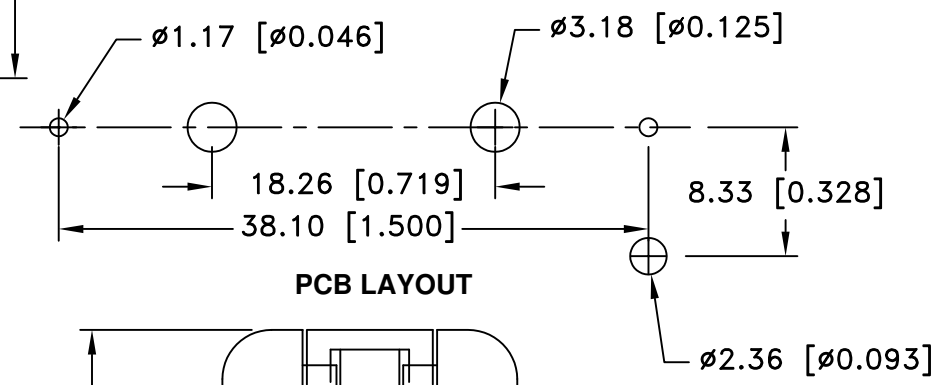



Date	SYM	REVISION RECORD	AUTH	DR.	CK.
6/09/07	A	REDRAWN DIM. 18.26 WAS 18.03	T.B.	B.S.	
12/01/07	B	REMOVED "SOLDER DIPPED PCB TAILS"	T.B.	B.S.	



SPECIFICATIONS:
 HOLDER MATERIAL: SELF EXTINGUISHING THERMOPLASTIC, BLACK PBT
 FLAMABILITY RATING: UL94V-0, FILE #E53829
 CONTACTS: 301 SPRING TEMPER STAINLESS STEEL, NICKLE PLATED OVERALL
 DIELECTRIC STRENGTH: 560 VOLTS/MIL AT 25°C FOR 5 SEC.
 TEMPERATURE RANGE: -55°C TO +180°C
 RESISTANCE TO SOLVENTS: XYLENE, ETHYL, BUTYL, MRTHYL, PROPYL ALCOHOL, ETHYL ACETATE, HEPTANE, TOLUENE, REFRIGERANT

NOTES:
 EYELET STIMPSON STYLE#A1883 0.110" OD x 0.190" FLANGE
 FLANGE RECESS Ø0.203" x 0.090" DEEP
 ACCEPTS STANDARD 2-56 MACHINE SCREWS

Tolerance (Except as noted)	 Memory Protection Devices, Inc 200 Broad Hollow Road, Farmingdale, New York 11735		
		decimal ±.5 (.020)	Scale
Fractional ± .8 (.030)	Title 2/3A BATTERY HOLDER, PCB MOUNTING		
Angular ± 3°	Date 12/01/07	Drawing Number BH2/3A	