

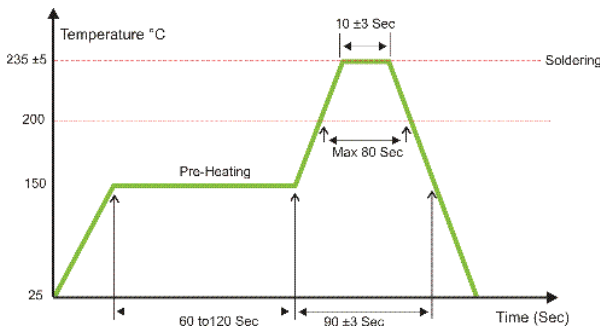
## DESCRIPTION

The SOC7 SMD Clock Oscillator has a small size for many applications, large temperature range available, complementary output available, enable/disable function available, different designs depending on customers requirements

## ELECTRICAL SPECIFICATION

Frequency Range (Fo)	1.000 to 100.000MHz	
Frequency Stability (all conditions)	±20ppm to ±100ppm Maximum	
Operating Temperature Range	0°C to +70°C Standard (or Optional)	
Storage Temperature Range	-55°C to +125°C	
Input Voltage (V <sub>DD</sub> )	5V ±10% or 3.3V ±10%	
Output Voltage	V <sub>OH</sub>	90% V <sub>DD</sub> Minimum
	V <sub>OL</sub>	10% V <sub>DD</sub> Maximum
Rise Time (tr)	10% V <sub>DD</sub> - 90% V <sub>DD</sub>	10ns (1.00 to 23.99MHz)
Fall Time (tf)	90% V <sub>DD</sub> - 10% V <sub>DD</sub>	6ns (24.00 to 100.00MHz)
Tri-State (Pin 1)	ON (Low Level)	High Impedance at Pin 3
	OFF (High Level or Open)	Output Active at Pin 3
Output Symmetry 1/2 V <sub>DD</sub>	A	40 / 60%
	B	45 / 55%
	C	47.5 / 52.5%
Low Voltage	0.5V (10% V <sub>DD</sub> )	
High Voltage	4.5V (90% V <sub>DD</sub> )	
Aging (at 25°C)	±3ppm per year	
Output Load	CL=15pF / 1-10LS TTL	

## SOLDERING



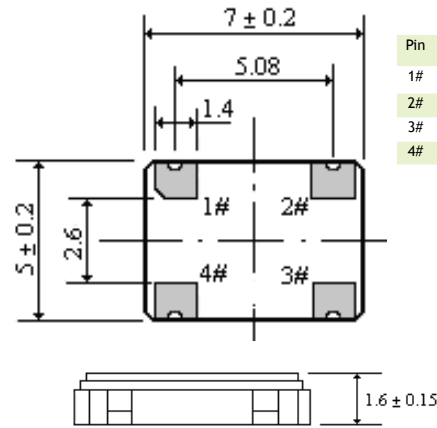
Wired oscillators can be processed manually or in solder wave. Oscillators with SMD-connections can be processed in convection, infrared or vapour phase soldering procedure, however, not over the head.

In solder machine mounted crystal or crystal oscillator can get a frequency offset which relaxes only after a view days, type depending.

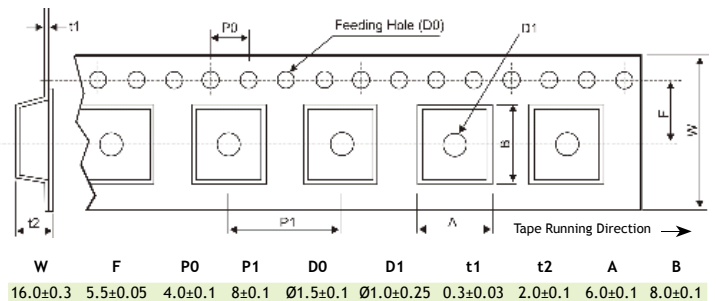
A storage under normal climate conditions (+5°C to +35°C and 40% to 75% a relative humidity) ensures a sufficient solderability of minimum 1 year. The solderability is typically still guaranteed beyond it.

Should the occasion of a long storage arise it has to be rechecked. For corresponding soldering profiles please refer to IEC 61760-1.

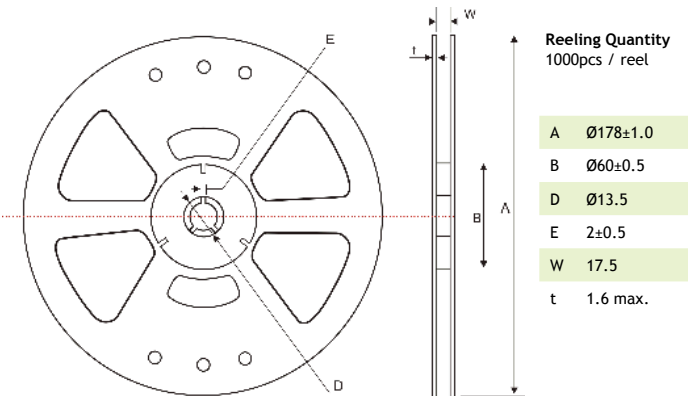
## MECHANICAL DIMENSIONS (all in mm)



## TAPE SPECIFICATIONS (all in mm) - Carrier Tape Dimensions



All temperature refer to topside of the package, measured on the package body surface.



## PART NUMBERING SYSTEM (Example)

### SOC7-11.0592-50-3.3-A-A-XX

