

TA8238K

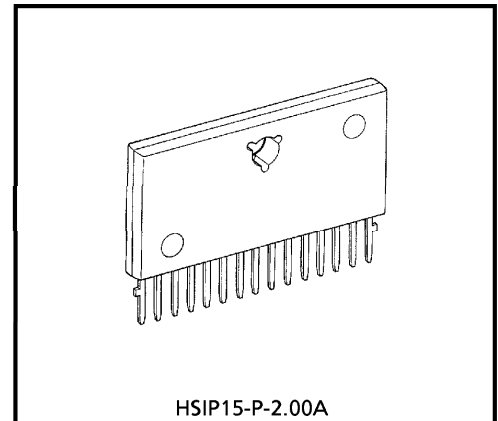
7.3W×2CH AUDIO POWER IC

The TA8238K is dual audio power amplifier for consumer application.

It contains various kind of protectors and the function of stand-by switch.

FEATURES

- Output Power
 - : $P_{OUT(1)} = 7.3W$ (Typ.)
($V_{CC} = 13.2V$, $f = 1kHz$, $THD = 10\%$, $R_L = 2\Omega$)
 - : $P_{OUT(2)} = 6.4W$ (Typ.)
($V_{CC} = 14.4V$, $f = 1kHz$, $THD = 10\%$, $R_L = 4\Omega$)
 - : $P_{OUT(3)} = 5.3W$ (Typ.)
($V_{CC} = 13.2V$, $f = 1kHz$, $THD = 10\%$, $R_L = 4\Omega$)
- Total Harmonic Distortion
 - : $THD = 0.1\%$ (Typ.)
($V_{CC} = 13.2V$, $f = 1kHz$, $P_{out} = 1W$, $R_L = 4\Omega$)
- Built In Stand-By Switch Function
 - : $I_{STBY} = 1\mu A$ (Typ.)
(With Pin[Ⓢ] set at High, power is turned ON.)
- Built In Junction Temperature Detection Function
(Pin^① : $10mV/^\circ C$)
- Built In Various Protection Circuits
 - : Over Voltage, Thermal Shut Down
Out to GND, Out to V_{CC}
- Operating Supply Voltage
 - : $V_{CC(opr.)} = 6\sim 18V$

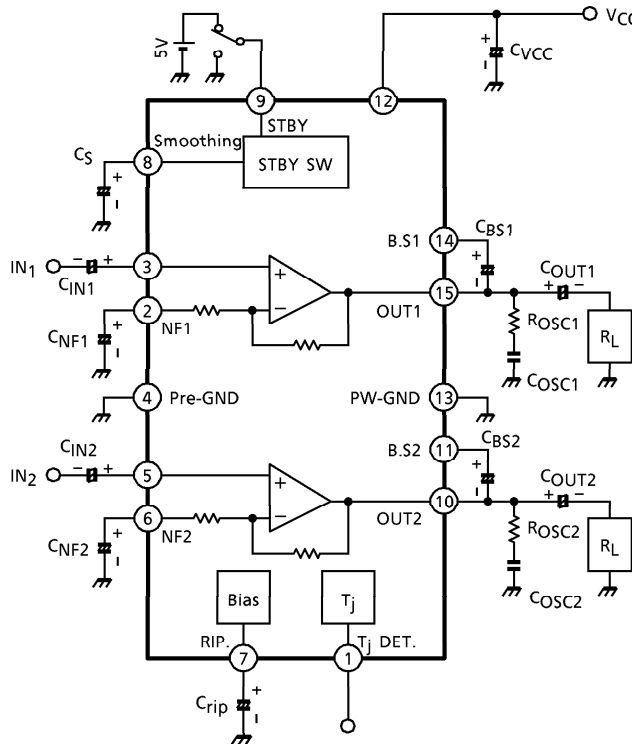


HSIP15-P-2.00A

Weight : 3.9g (Typ.)

BLOCK DIAGRAM

($G_V = 52\text{dB}$)



CAUTION AND APPLICATION METHOD

(Description is made only on the single channel.)

1. Voltage Gain Adjustment

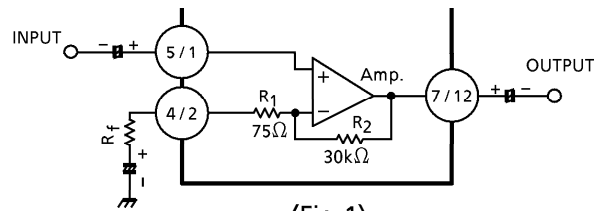
The closed loop voltage gain (G_V) is determined by R_1 , R_2 and R_f .

$$G_V = 20 \log \frac{R_f + R_1 + R_2}{R_f + R_1} \text{ (dB)}$$

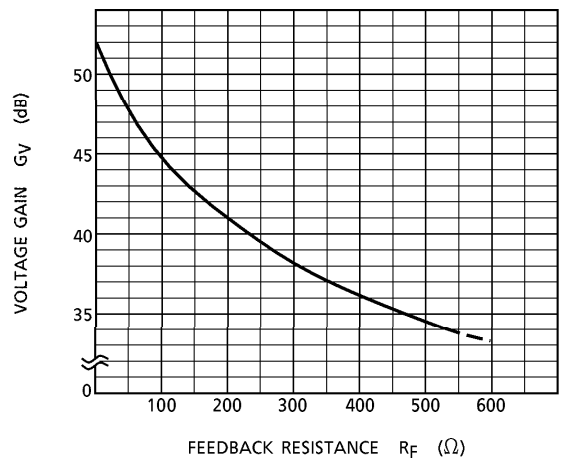
When $R_f = 0$, $G_V = 52\text{dB}$ (Typ.) is given.

The voltage gain is reduced when R_f is increased. (Fig.2)

With the voltage gain reduced, since the oscillation stability is reduced, refer to the items 3.



(Fig.1)



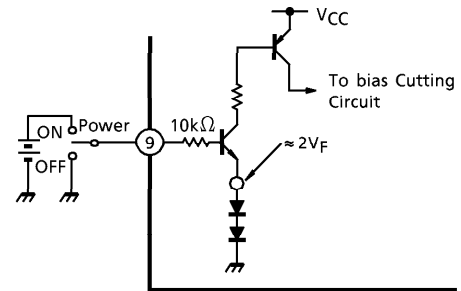
(Fig.2)

2. Stand-by SW Function

By means of controlling pin⑨ (Stand-by terminal) to High and Low, the power supply can be set to ON and OFF. The threshold voltage of pin⑨ is set at 2.1V ($3V_{BE}$), and the Power Supply current is about $1\mu A$ (Typ.) at the stand-by state.

Control Voltage pin⑨ : V (SB)

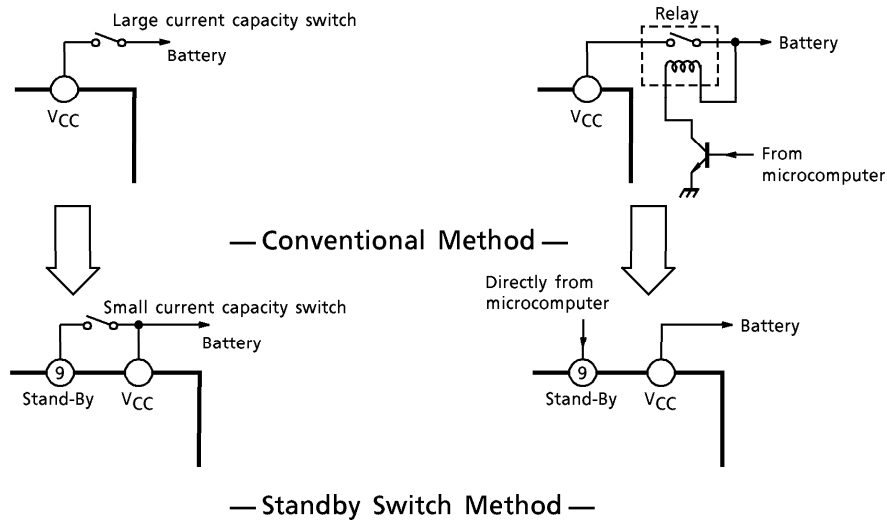
Stand-By	Power	V (SB) (V)
ON	OFF	0~2
OFF	ON	3~V _{CC}



(Fig.3)With Pin⑨ Set to High, Power is Turned ON.

Advantage of Stand-by SW

- (1) Since V_{CC} can directly be controlled to ON, OFF by the microcomputer, the switching relay can be omitted.
- (2) Since the control current is microscopic, the switching relay of small current capacity is satisfactory for switching.



3. Preventive Measure Against Oscillation

C_{OSC} : For preventing the oscillation, it is advisable to use C_{OSC} , the condenser of polyester film having small characteristic fluctuation of the temperature and the frequency.

The resistance R to be series applied to C_{OSC} is effective for phase correction of high frequency, and improves the oscillation allowance.

- (1) Voltage gain to be used (G_V Setting)
- (2) Capacity value of condenser
- (3) Kind of condenser
- (4) Layout of printed board

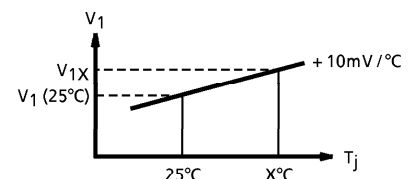
In case of its use with the voltage gain G_V reduced or with the feedback amount increased, care must be taken because the phase-inversion is caused by the high frequency resulting in making the oscillation liable generated.

4. Junction Temperature Detecting pin①

Using temperature characteristic of a band gap circuit and in proportion to junction temperature, pin① DC voltage : V_2 rises at about $+10\text{mV}/^\circ\text{C}$ temperature characteristic. So, the relation between V_2 at $T_j=25^\circ\text{C}$ and V_{2x} at $T_j=x^\circ\text{C}$ is decided by the following expression :

$$T (x^\circ\text{C}) = \frac{V_{2x} - V_2 (25^\circ\text{C})}{10\text{mV}/^\circ\text{C}} + 25 (^\circ\text{C})$$

In deciding a heat sink size, a junction temperature can be easily made clear by measuring voltage at this pin while a backside temperature of IC was so far measured using a thermocouple type thermometer.

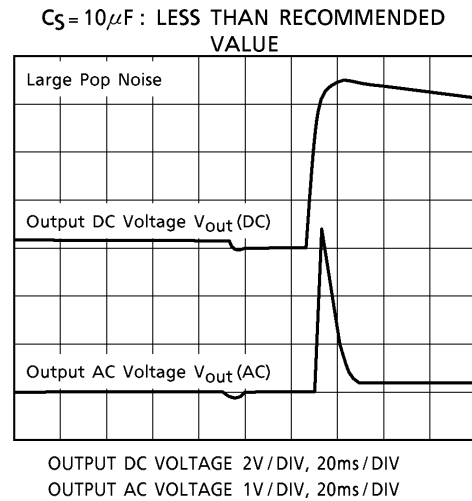
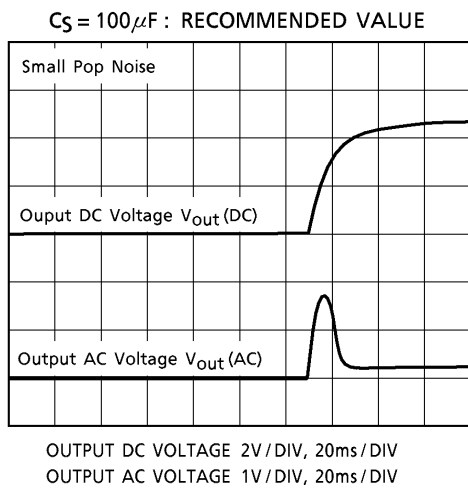


(Fig.4)

5. Pop Noise

The pop noise is reduced by the time constant τ of pin⑧ : smoothing.

Therefore, we recommend $C_S = 100\mu\text{F}$, which is between pin⑧ and GND, because the pop noise will become worse by using the smaller capacity of C_S .



MAXIMUM RATINGS (Ta = 25°C)

CHARACTERISTIC	SYMBOL	RATING	UNIT
Peak Supply Voltage (0.2s)	$V_{CC}(\text{surge})$	50	V
DC Supply Voltage	$V_{CC}(\text{DC})$	20	V
Operating Supply Voltage	$V_{CC}(\text{opr})$	18	V
Output Current (peak)	$I_O(\text{peak})$	4.5	A
Power Dissipation	P_D	15	W
Operating Temperature	T_{opr}	- 30~85	°C
Storage Temperature	T_{stg}	- 55~150	°C

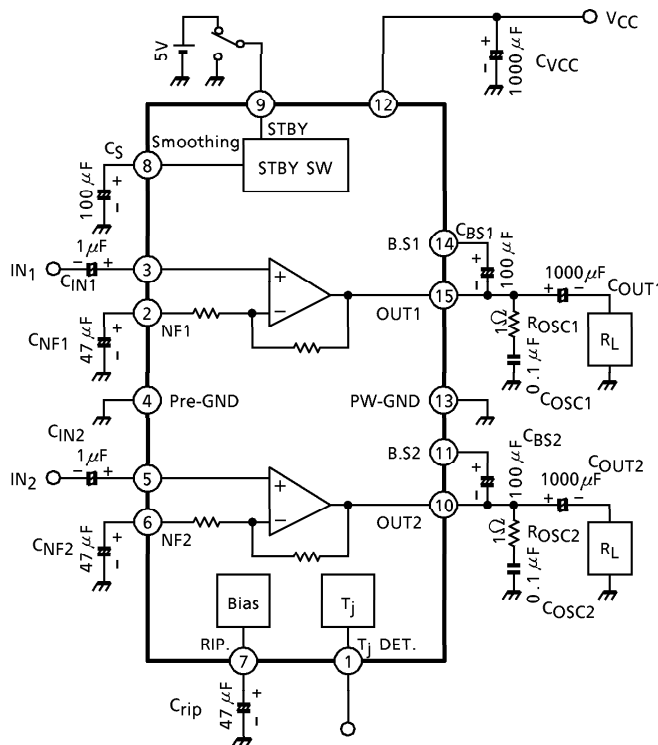
ELECTRICAL CHARACTERISTICS

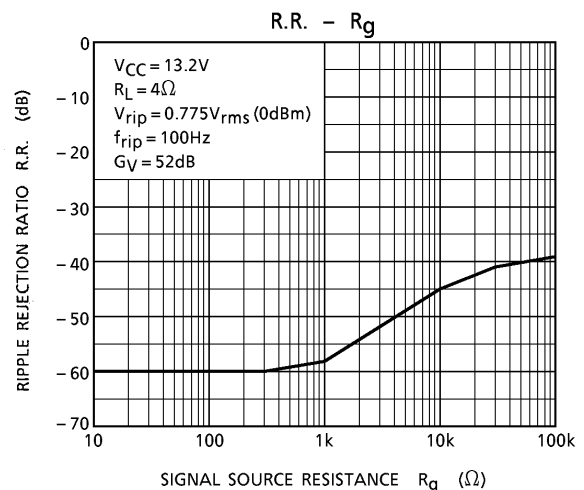
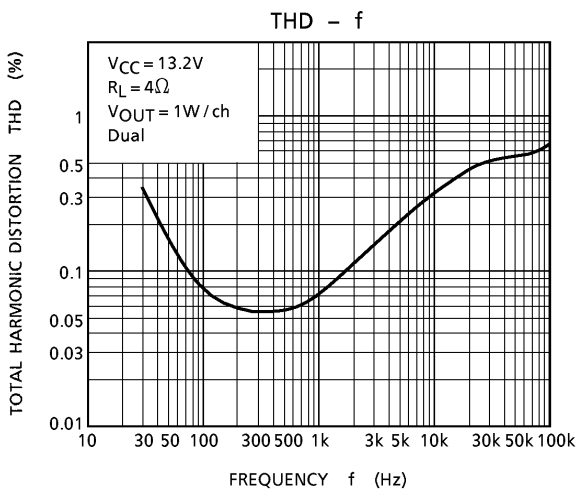
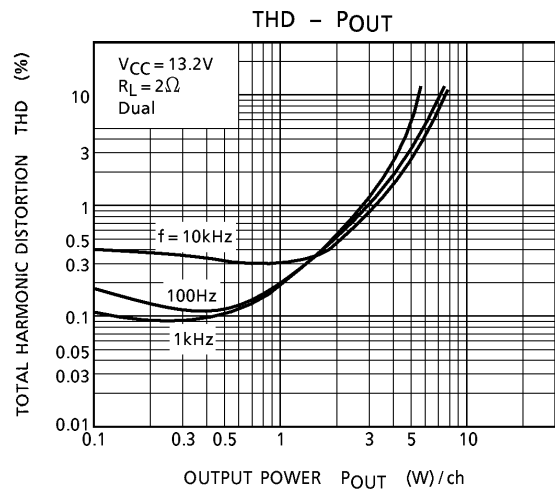
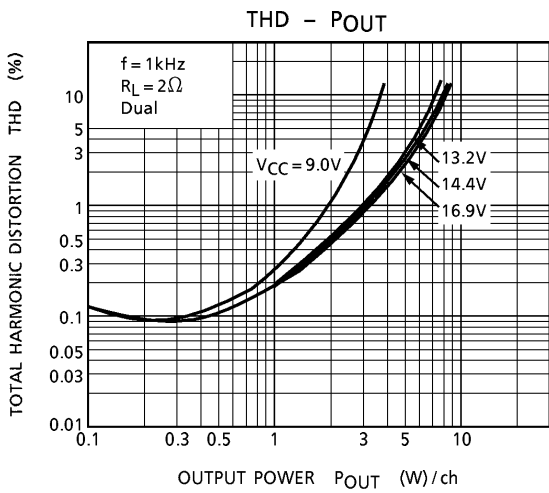
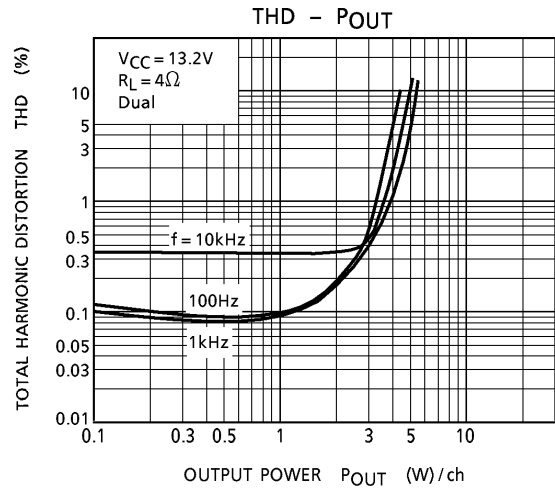
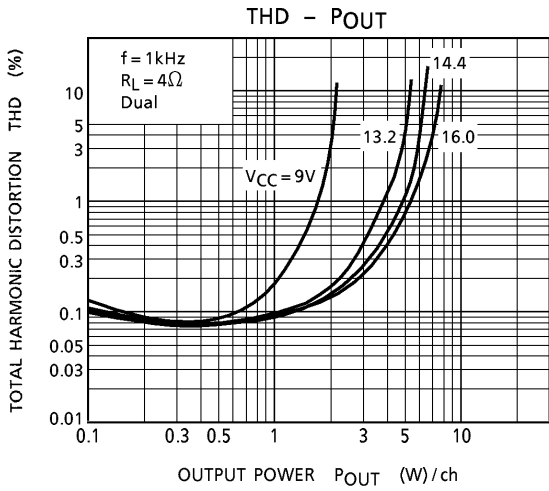
(Unless otherwise specified, $V_{CC} = 13.2V$, $f = 1kHz$, $R_g = 600\Omega$, $R_L = 4\Omega$, $T_a = 25^\circ C$)

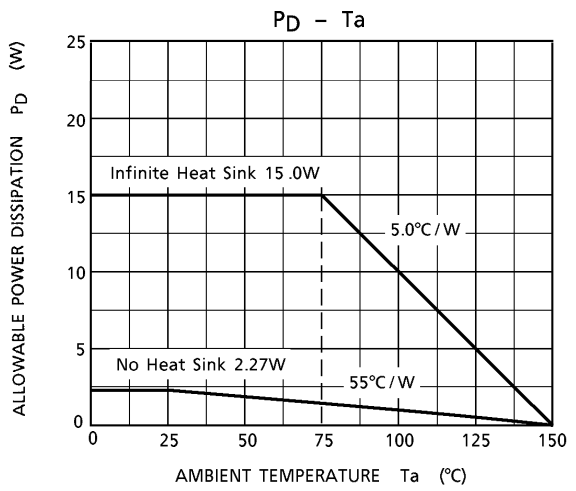
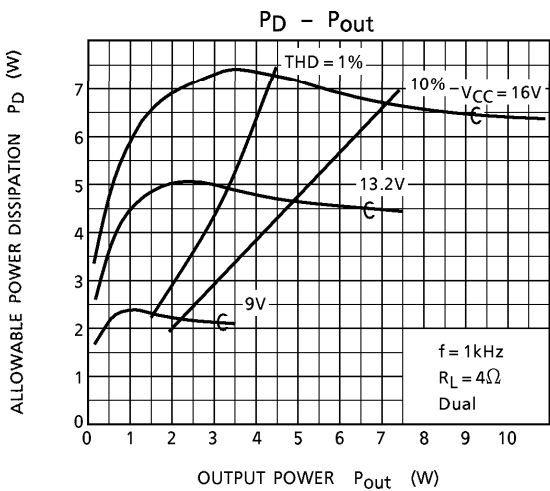
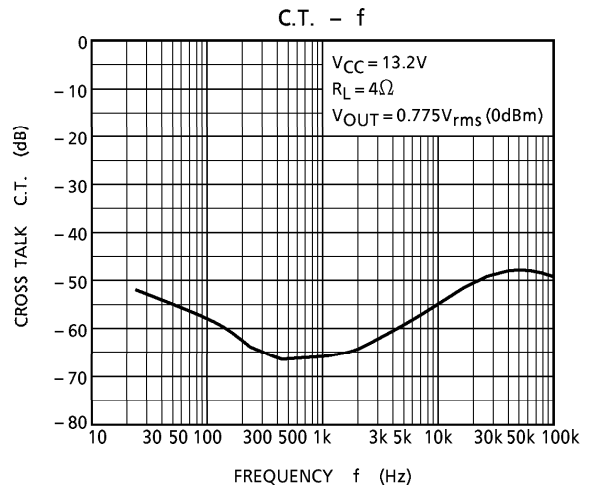
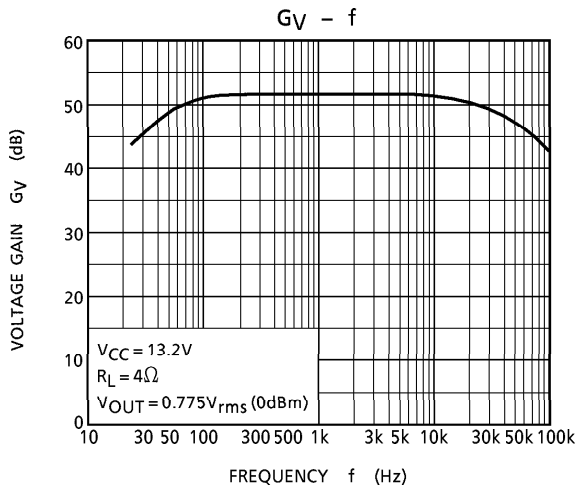
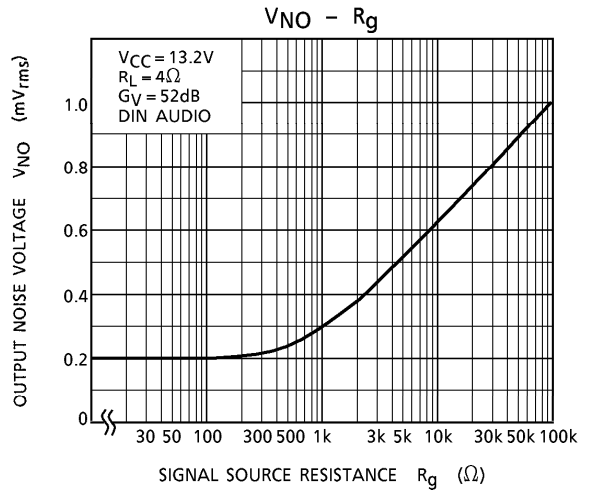
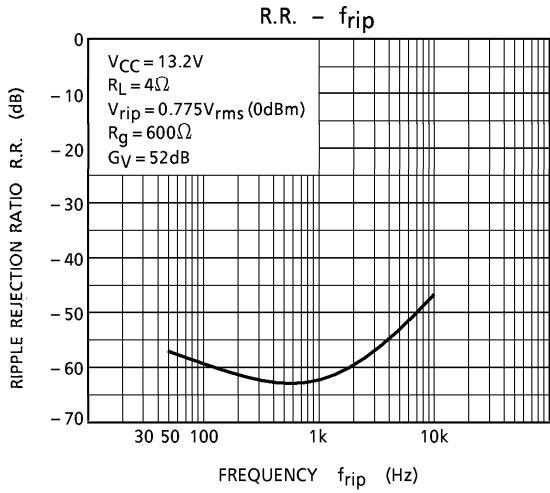
CHARACTERISTIC	SYMBOL	TEST CIR-CUIT	TEST CONDITION	MIN.	TYP.	MAX.	UNIT
Quiescent Current	I_{CCQ}	—	$V_{in} = 0$	—	60	150	mA
Output Power	$P_{out(1)}$	—	THD = 10%, $R_L = 2\Omega$	—	7.3	—	W
	$P_{out(2)}$	—	$V_{CC} = 14.4V$, THD = 10%	—	6.4	—	W
	$P_{out(3)}$	—	THD = 10%	4.8	5.3	—	W
Total Harmonic Distortion	THD	—	$P_{out} = 1W$	—	0.1	0.5	%
Voltage Gain	G_V	—	$V_{out} = 0.775V_{rms}$ (0dBm)	50	52	54	dB
Voltage Gain Ratio	ΔG_V	—	$V_{out} = 0.775V_{rms}$ (0dBm)	-1	0	1	dB
Output Noise Voltage	V_{NO}	—	$R_g = 0\Omega$, BW = 20Hz~20kHz	—	0.2	0.7	mV _{rms}
Ripple Rejection Ratio	R.R.	—	$f_{ripple} = 100Hz$, $V_{out} = 0.775V_{rms}$ (0dBm), $R_g = 600\Omega$	40	57	—	dB
Cross Talk	C.T.	—	$R_g = 600\Omega$, $V_{out} = 0.775V_{rms}$ (0dBm)	—	65	—	dB
Input Resistance	R_{IN}	—	—	—	30	—	k Ω
Stand-By Current	I_{STBY}	—	Pin $\textcircled{9}$: GND	—	1	10	μA

TEST CIRCUIT

($G_V = 52dB$)

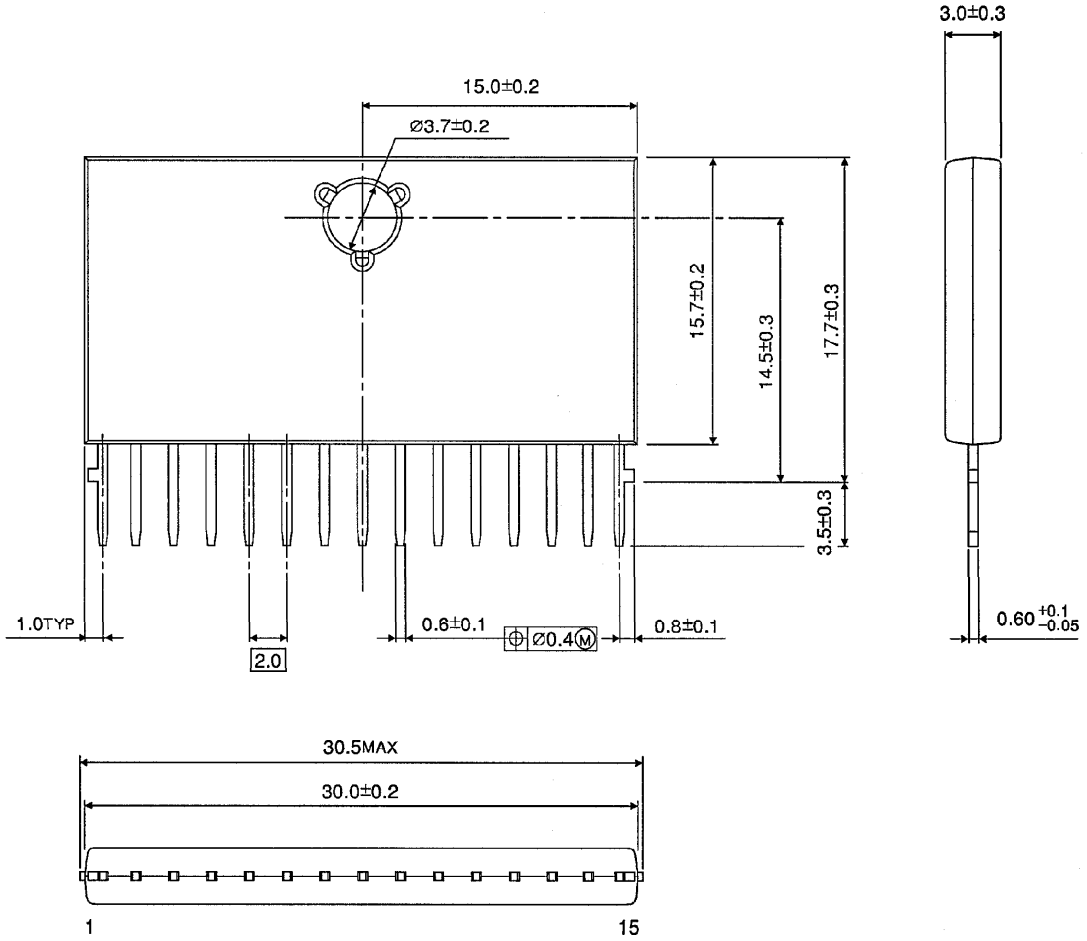






PACKAGE DIMENSIONS
HSIP15-P-2.00A

Unit : mm



Weight : 3.9g (Typ.)

RESTRICTIONS ON PRODUCT USE

000707EBA

- TOSHIBA is continually working to improve the quality and reliability of its products. Nevertheless, semiconductor devices in general can malfunction or fail due to their inherent electrical sensitivity and vulnerability to physical stress. It is the responsibility of the buyer, when utilizing TOSHIBA products, to comply with the standards of safety in making a safe design for the entire system, and to avoid situations in which a malfunction or failure of such TOSHIBA products could cause loss of human life, bodily injury or damage to property. In developing your designs, please ensure that TOSHIBA products are used within specified operating ranges as set forth in the most recent TOSHIBA products specifications. Also, please keep in mind the precautions and conditions set forth in the "Handling Guide for Semiconductor Devices," or "TOSHIBA Semiconductor Reliability Handbook" etc..
- The TOSHIBA products listed in this document are intended for usage in general electronics applications (computer, personal equipment, office equipment, measuring equipment, industrial robotics, domestic appliances, etc.). These TOSHIBA products are neither intended nor warranted for usage in equipment that requires extraordinarily high quality and/or reliability or a malfunction or failure of which may cause loss of human life or bodily injury ("Unintended Usage"). Unintended Usage include atomic energy control instruments, airplane or spaceship instruments, transportation instruments, traffic signal instruments, combustion control instruments, medical instruments, all types of safety devices, etc.. Unintended Usage of TOSHIBA products listed in this document shall be made at the customer's own risk.
- The products described in this document are subject to the foreign exchange and foreign trade laws.
- The information contained herein is presented only as a guide for the applications of our products. No responsibility is assumed by TOSHIBA CORPORATION for any infringements of intellectual property or other rights of the third parties which may result from its use. No license is granted by implication or otherwise under any intellectual property or other rights of TOSHIBA CORPORATION or others.
- The information contained herein is subject to change without notice.

This datasheet has been download from:

www.datasheetcatalog.com

Datasheets for electronics components.