

# SAMSUNG

CHASSIS: US60A  
MOD- CX5330AN

## HOT

## COLD

15V

5V

17V

125V

33V

START

B+

S-BY	0,7V
NORM.	8,9V

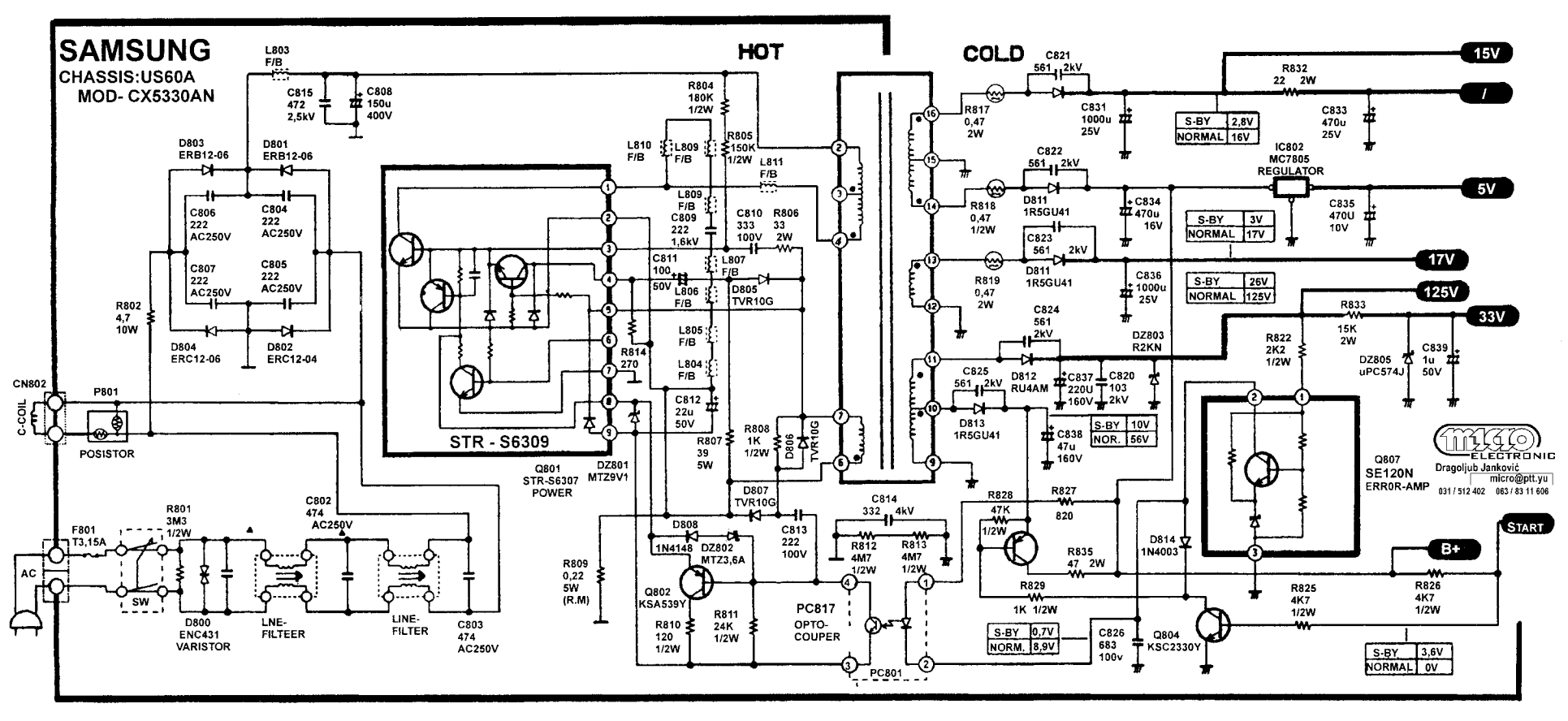
S-BY	2,8V
NORMAL	16V

S-BY	3V
NORMAL	17V

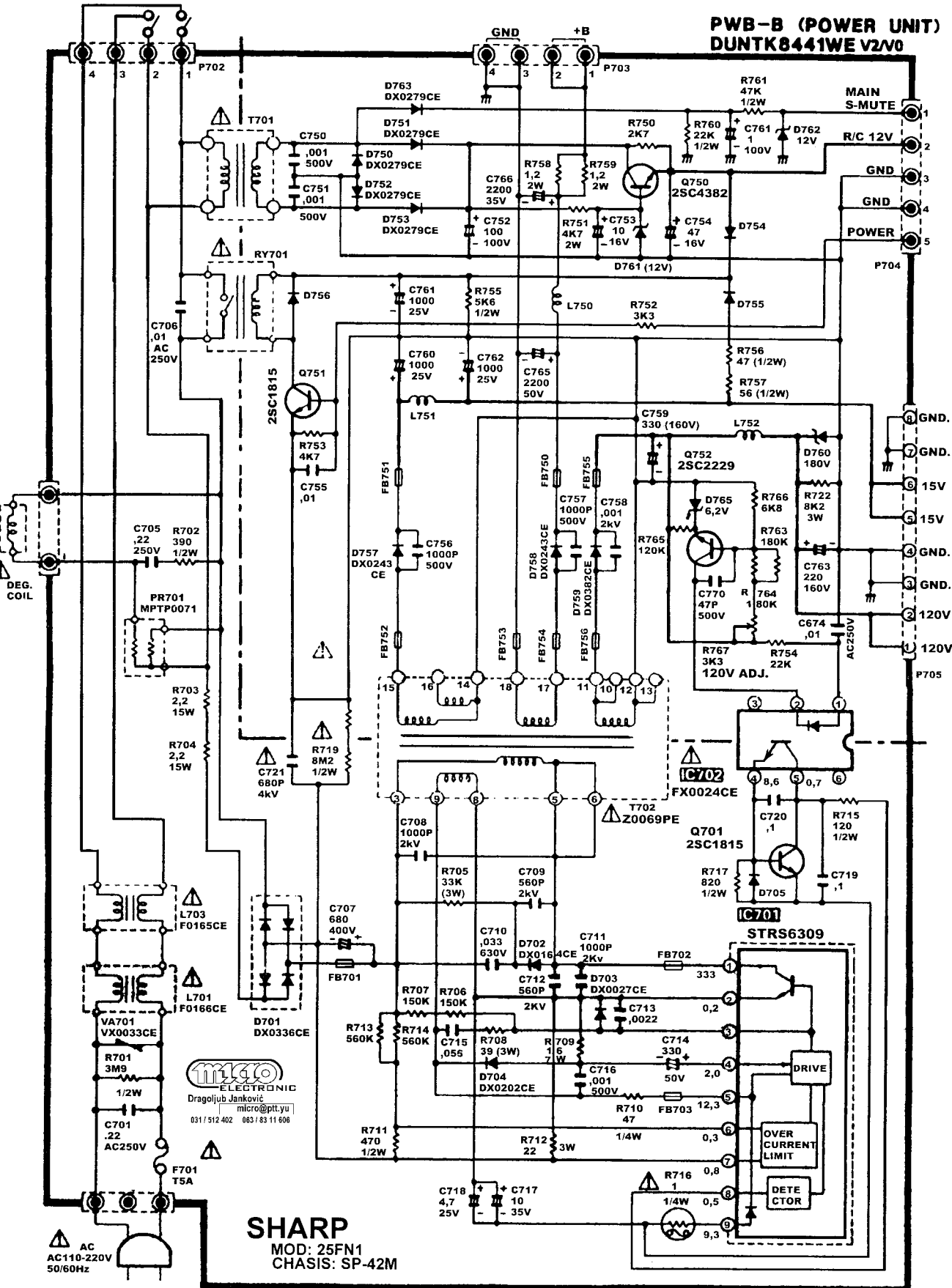
S-BY	26V
NORMAL	125V

S-BY	10V
NOR.	56V

**micro** ELECTRONIC  
Dragoljub Jankovic  
micro@pjt.yu  
031/512.402 063/83.11.606



**PWB-B (POWER UNIT)  
DUNT8441WE V2/0**



**SHARP**  
MOD: 25FN1  
CHASIS: SP-42M

**micro ELECTRONIC**  
Dragoljub Jankovic  
micro@ptt.yu  
031/512 402 063/83 11 606

AC  
AC110-220V  
50/60Hz

- 1 MAIN S-MUTE
- 2 R/C 12V
- 3 GND
- 4 GND
- 5 POWER
- 6 GND.
- 7 GND.
- 8 15V
- 9 15V
- 10 GND.
- 11 GND.
- 12 120V
- 13 120V

This datasheet has been downloaded from:

[www.DatasheetCatalog.com](http://www.DatasheetCatalog.com)

Datasheets for electronic components.