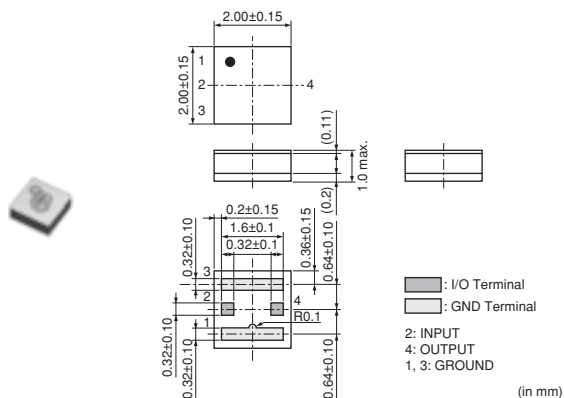


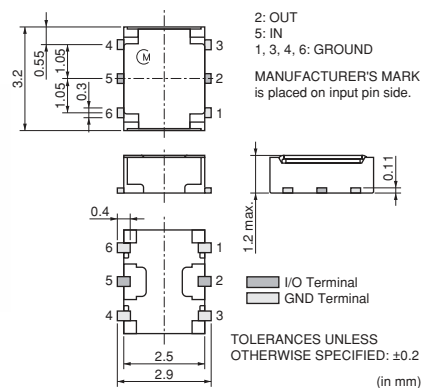
Isolators



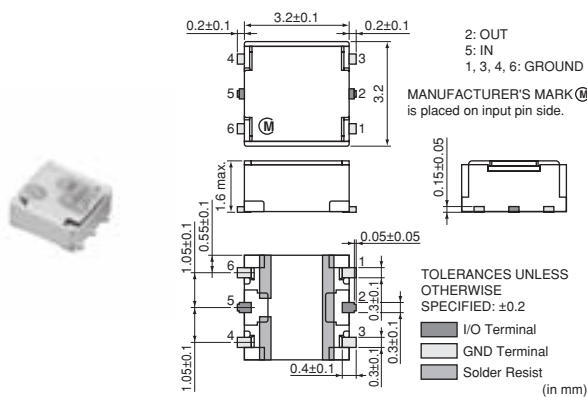
●CEG23 Series



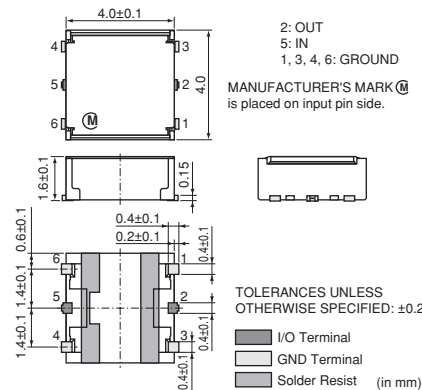
●CES20 Series



●CES30 Series




●CES40 Series



| Part Number | Fo (MHz) | IL at BW (max.) (dB) | Isolation (min.) (dB) | Rating Power (max.) (W) |
|-----------------|----------|----------------------|-----------------------|-------------------------|
| CEG231G44CCB101 | 1445.4 | 0.68 | 10 | 1.2 |
| CEG231G73DCB100 | 1732.5 | 0.65 | 10 | 1.2 |
| CEG231G76CCB100 | 1767.4 | 0.65 | 10 | 1.2 |
| CEG231G88DCB100 | 1880 | 0.65 | 10 | 1.2 |
| CEG231G88DCB101 | 1882.5 | 0.65 | 10 | 1.2 |
| CEG231G95DCB100 | 1950 | 0.65 | 10 | 1.2 |
| CEG231G95ECB100 | 1952.5 | 0.8 | 6 | 1.2 |
| CEG232G01BCB100 | 2017.5 | 0.69 | 10 | 1.2 |
| CEG23707MCCB000 | 707 | 0.76 | 9.5 | 1.2 |
| CEG23787MDCB000 | 787 | 0.65 | 10 | 1.2 |
| CEG23832MDCB000 | 832 | 0.65 | 9.4 | 1.2 |
| CEG23836MDCB000 | 836.5 | 0.65 | 10 | 1.2 |
| CEG23897MDCB000 | 897.5 | 0.68 | 9 | 1.2 |
| CEG23911MDCB000 | 911.5 | 0.65 | 10 | 1.2 |
| CES201G90CCB000 | 1900 | 0.6 | 13.5 | 2.5 |
| CES202G35DCB000 | 2350 | 0.77 | 8.5 | 2.5 |
| CES202G45DCB000 | 2450 | 0.77 | 9 | 2.5 |
| CES202G53DCB000 | 2535 | 0.67 | 10.5 | 2.5 |
| CES202G59CCB000 | 2595 | 0.7 | 8 | 2.5 |
| CES202G59ECB000 | 2592.5 | 0.9 | 6 | 2.5 |
| CES301G74DCB000 | 1747.5 | 0.74 | 10.5 | 2.5 |
| CES301G76CCB000 | 1765 | 0.7 | 12 | 2.5 |
| CES301G84DCB000 | 1842.5 | 0.68 | 11 | 2.5 |
| CES301G88DCB000 | 1880 | 0.64 | 13 | 2.5 |
| CES301G90CCB000 | 1900 | 0.62 | 14.5 | 2.5 |

Continued on the following page. ↗

 Continued from the preceding page.

| Part Number | Fo (MHz) | IL at BW (max.) (dB) | Isolation (min.) (dB) | Rating Power (max.) (W) |
|-----------------|-------------|----------------------------|-----------------------------|-------------------------------|
| CES301G95DCB000 | 1950 | 0.6 | 13 | 2.5 |
| CES301G95ECB000 | 1952.5 | 0.82 | 9 | 2.5 |
| CES301G96DCB000 | 1960 | 0.6 | 13 | 2.5 |
| CES302G14DCB000 | 2140 | 0.62 | 13 | 2.5 |
| CES40836MDCB000 | 836.5 | 0.75 | 10.5 | 2.5 |
| CES40881MDCB000 | 881.5 | 0.73 | 10 | 2.5 |
| CES40897MDCB000 | 897.5 | 0.75 | 10 | 2.5 |
| CES40906MDCB000 | 906 | 0.78 | 10 | 2.5 |
| CES40942MDCB000 | 942.5 | 0.85 | 10 | 2.5 |