

MODEL: CN4038-48LA P8



**ELECTRICAL SPECIFICATION:**

Item	Unit	Standard
Resonant Frequency	KHz	40 ± 0.5
Resonant Impedance	Ω	25 ↓
Capacitance	PF	3800 ± 10%
Diameter	MM	48
Total height	MM	51
Insulation Impedance	MΩ	10000 ↑
Rated Power	W	60

**Code Meaning of Clangsonic Transducer**

"CN" - CLANGSONIC

"40" - Frequency

"38" - Diameter of Piezoceramics

"48" - Diameter of Radiating surface

"L"- Trumpet Base

"A" - Without threaded hole in radiating surface

"P4" - Black piezoelectric ceramic, which transmits better

"P8" - Yellow piezoelectric ceramic, which has better heat stability

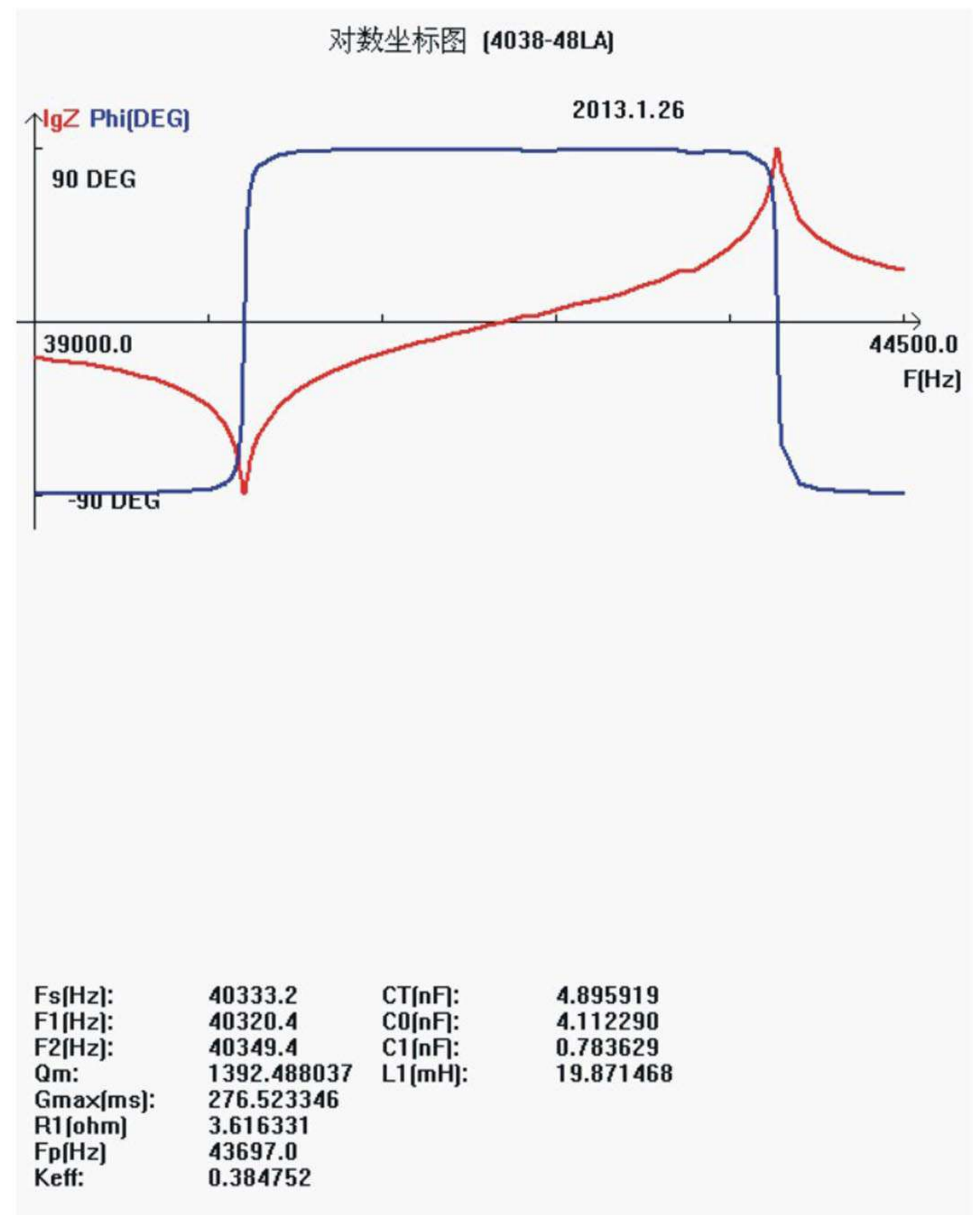
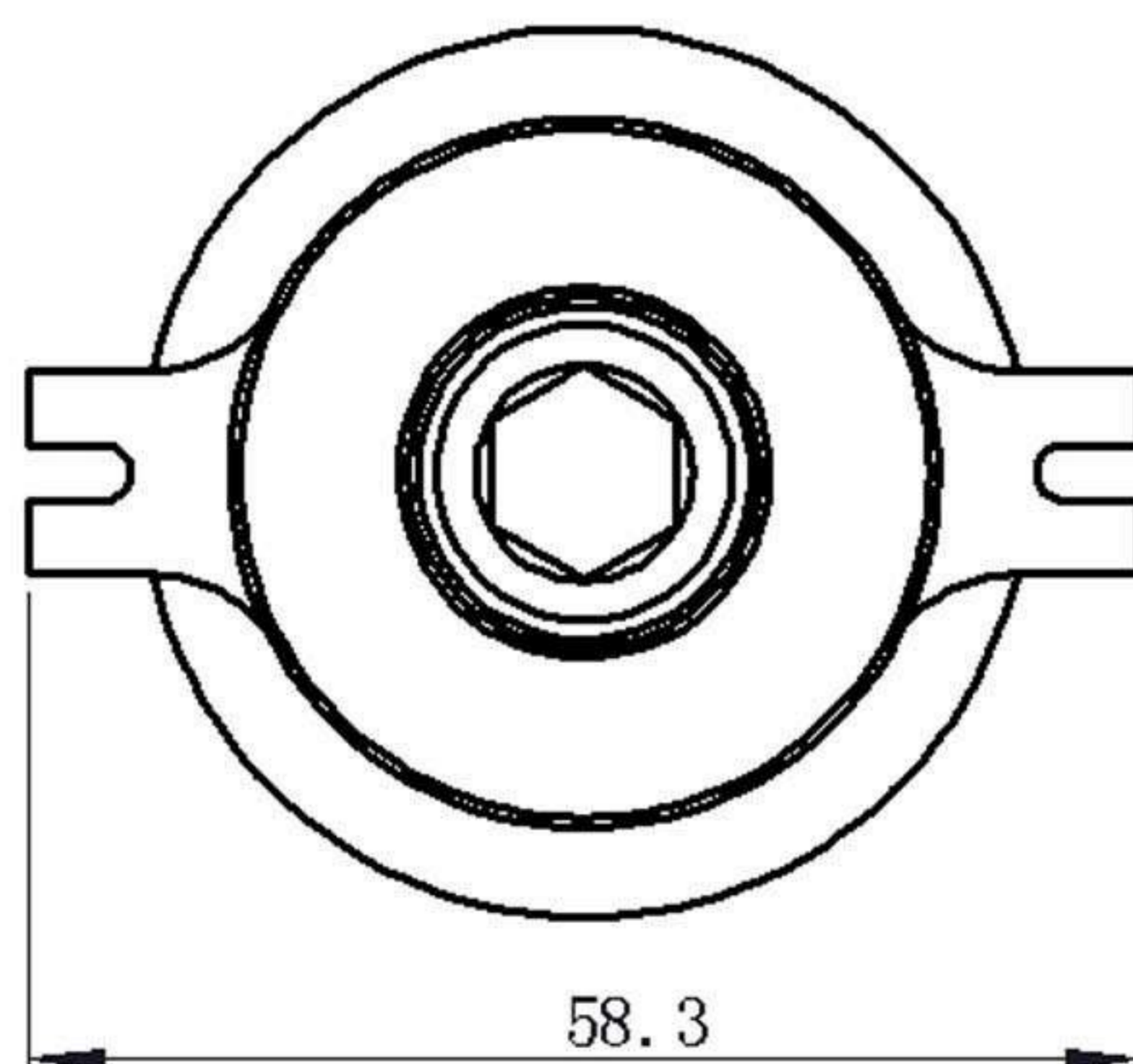
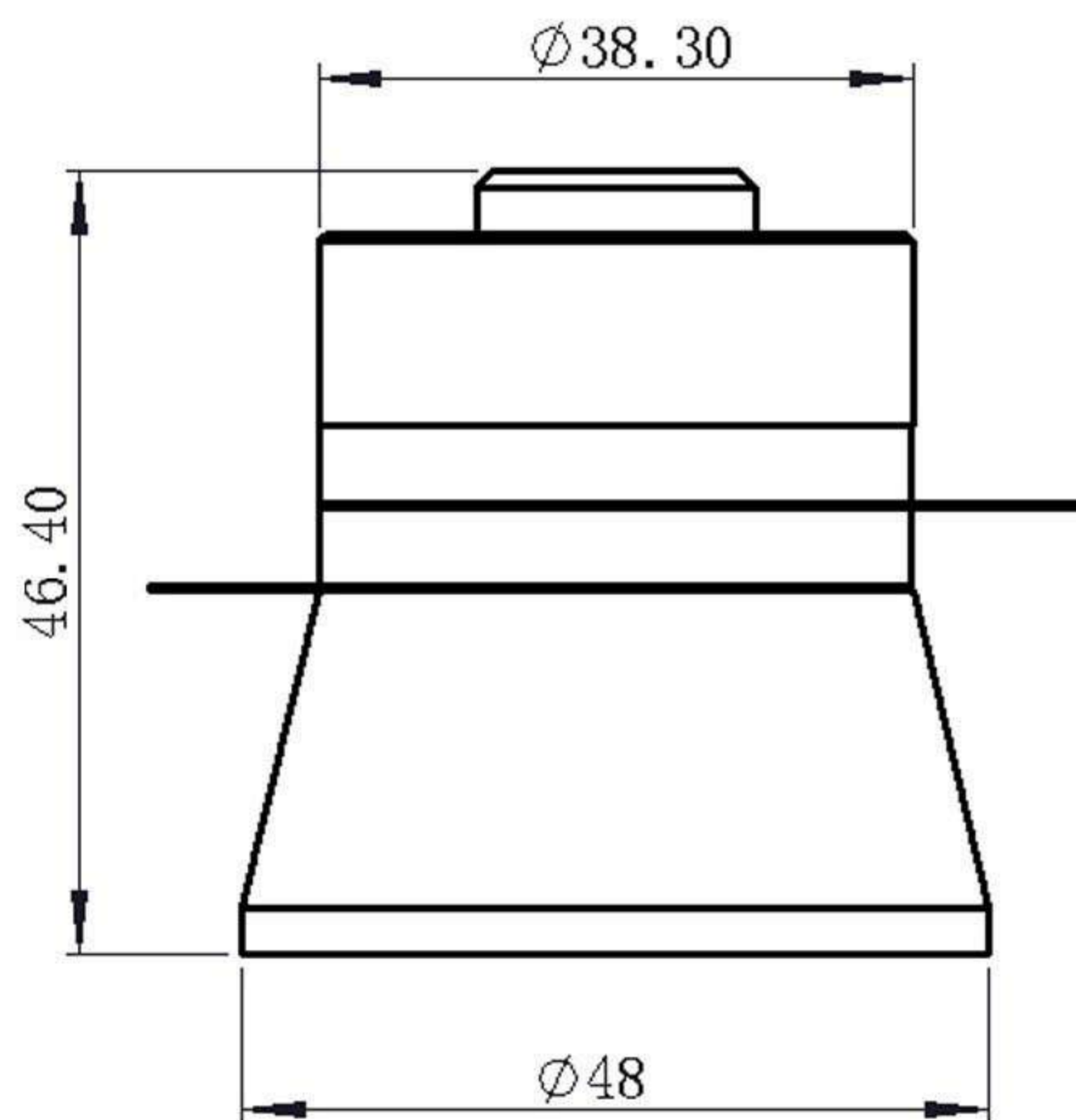
Please tell us what kind of ceramic you need.



P4



P8



Tel:086-576-87276622 Email:info@clangsonic.com

Website:www.clangsonic.com

