

Type: ASK Transmitter Module
Model: CYT6

1. DESCRIPTION:

The CYT6 is an ASK transmitter module . TX6 is designed by the saw resonator, with an effective low cost, small size, and simple-to-use for designing.



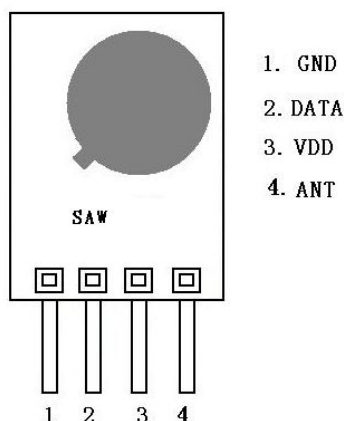
2. FEATURES:

- The range can be 500m when matching with CY11
- Operation voltage: VCC= 2.6 to 12V;
- Frequency: 315MHz/433.92MHz(custom frequency is available);
- High output power: 15dBm(MAX);
- Frequency tolerance: ± 75 KHz;
- Current: 12mA;
- Operating temperature: -20°C ~ +70°C
- Bit rate: <4.8kbps;

3. APPLICATION:

- Car Security System
- Remote Keyless Entry
- Garage Door Controller
- Home Security
- Wireless Mouse
- Automation System

4. PIN DEFINITION:



Pin-out as showed in Fingure 1 above.

Pin Name	Pin Definition
GND	Connect to negative power supply
DATA	Data connected to MCU
VDD	Connect to positive power supply
ANT	Antenna Out

5. ELECTRICAL CHARACTERISTICS:

Condition: Ta=25°C Vcc=5.0V

Characteristics	Symbol	Condition	Value			Unit
			Min	Typ	Max	
Frequency	Fc			315/433.92		MHz
Modulation Mode			ASK/OOK			
Output power		5V/50Ω		12dBm		dBm
Data-rate				1.2KHz		Hz
Frequency Tolerate	Fc			±75K		Hz
Current	IRC				12	mA
Working Voltage	VCC		2.6		12	V
Working Temperature	TC		-20		+70	°C

6. MECHANICAL SIZE: (unit: mm)

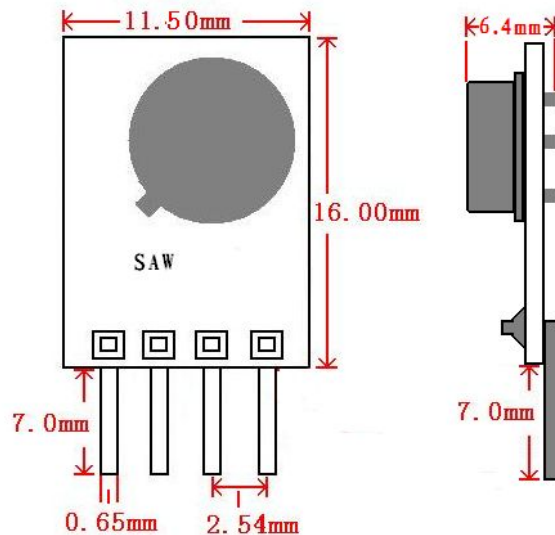


Figure 2 CYT6 Dimension

For more information and assistance, please kindly contact us as follows:

CY WIRELESS TECHNOLOGY LIMITED

Add: 1407, Block C, Tairan Building, 8th Tairan Road, Futian District,
Shenzhen, Guangdong Province, China

Website: www.rficy.com

Email: info@rficy.com

