

SPECIFICATION

1. SCOPE

This specification is applied to the piezo-element.

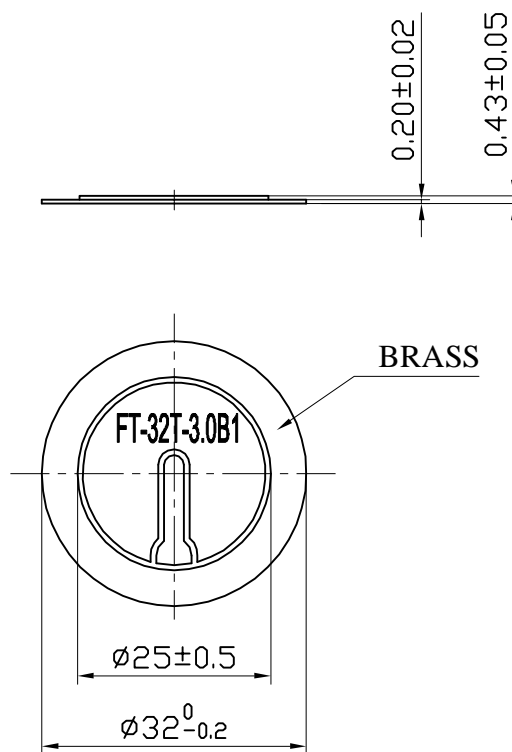
2. SPECIFICATION

(at 25°C)

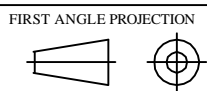
- 2.1 Resonant Frequency : 3.0 ± 0.5 KHz
- 2.2 Resonant Resistace : 500 Ω max
- 2.3 Capacitance : 35000 pF ± 30% at 100Hz
- 2.4 Input Voltage : 30 Vp-p max
- 2.5 Operating Temperature : -20~+50°C
- 2.6 Storage Temperature : -20~+70°C

3. DIMENSION

as per figure



TOLERANCES UNLESS NOTED OTHERWISE .X ± .XX ± .XXX ± 90° FORMED +2° ANGLES -1°	DRAWN		KEPO MODEL NO.	CUSTOMER QUARTZ-1			
	DESIGN		FT-32T-3.0B1-1589	CUSTOMER NO.			
	CHECKED						
	APPROVED		DWG NO.	VER	1.0	SCALE	
	DATE	05.05.10	OEM1589	UNIT	mm	SHEET	
	CONTRACT NO.			KEPO CO.,LTD.			
AGENCY APPROVAL			TEL:(+86)574-88370330 FAX:(+86)574-88370329				



1

2

3

4