

IQXO-62, -63

ISSUE 2; 19 OCTOBER 1999

Delivery Options

- Please contact our sales office for current leadtimes

Output Compatibility

- Tri-state HCMOS/TTL (5.0V) (IQXO- 62)
- Tri-state HCMOS (3.3V) (IQXO- 63)

Package Outline

- SMD (surface mount device) ceramic package with high drive capability

Standard Frequencies

- 1.84320MHz, 2.0MHz, 3.68640MHz, 4.0MHz, 5.0MHz, 8.0MHz, 10.0MHz, 12.0MHz, 14.318180MHz, 16.0MHz, 20.0MHz, 24.0MHz, 25.0MHz, 29.49120MHz, 30.0MHz, 32.0MHz, 33.86880MHz, 36.8640MHz, 40.0MHz, 44.23680MHz, 48.0MHz, 50.0MHz

Standard Frequency Stabilities

- ± 50 ppm, ± 100 ppm (inclusive of supply voltage & output load variations over the operating temperature range)

Operating Temperature Range

- -10 to 70°C

Storage Temperature Range

- -30 to 85°C

Tri-state Operation

- Logic '1' to pad 1 enables oscillator output, 2.2V min
- Logic '0' to pad 1 disables oscillator output; when disabled the oscillator output goes to the high impedance state, 0.8V max
- No connection to pad 1 enables oscillator output

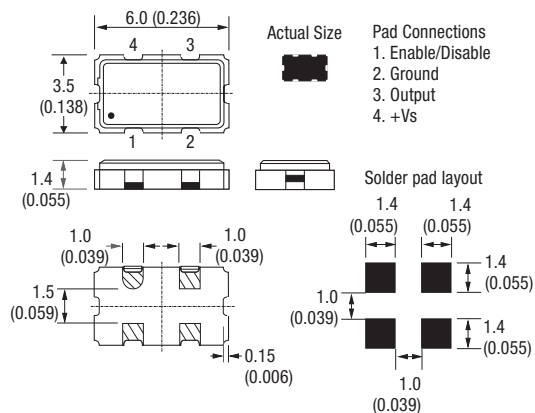
Marking

- Model number
- Frequency Stability Code
- Frequency

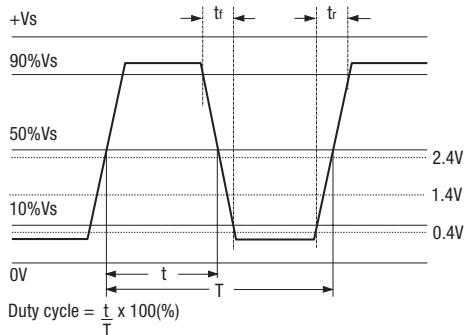
Minimum Order Information Required

- Frequency + Model Number + Frequency Stability

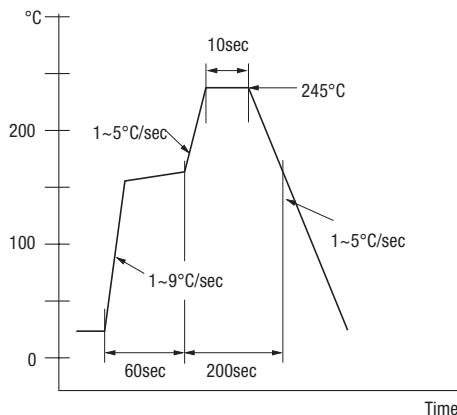
Outline in mm (inches) - (scale 3:1)



Output Waveform - HCMOS/TTL



Typical Solder Condition - Infrared Reflow



SURFACE MOUNT SPXOs

Electrical Specification - maximum limiting values when measured in HCMOS test circuit

Frequency Range	Frequency Stability	Supply Voltage	Supply Current	Rise Time (t _r)	Fall Time (t _f)	Duty Cycle	Model Number
1.80 to 25.0MHz	±50ppm, ±100ppm	3.3V±0.3V	15mA	6ns	6ns	40/60%	IQXO-63
		5.0V±0.5V	27mA	5ns	5ns		IQXO-62
> 25.0 to 50.0MHz	±50ppm, ±100ppm	3.3V±0.3V	15mA	6ns	6ns	40/60%	IQXO-63
		5.0V±0.5V	40mA	5ns	5ns		IQXO-62

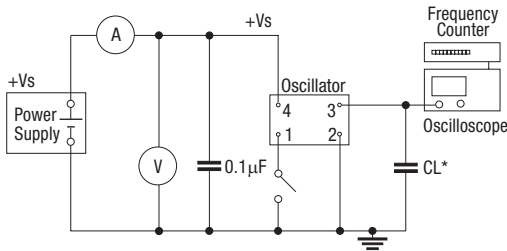
Ordering Example 24.0MHz IQXO-62 B

Frequency _____

Model No _____

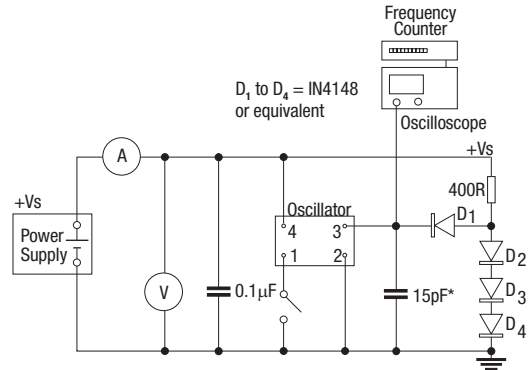
Frequency Stability: B = ±50ppm; C = ±100ppm _____

Test Circuit - HCMOS



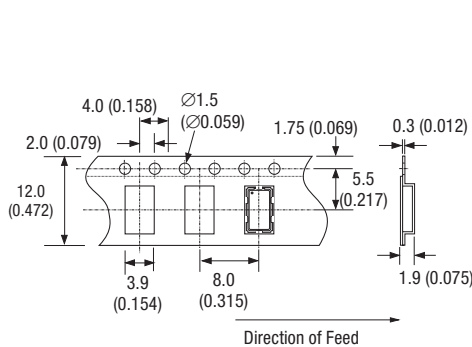
* Inclusive of jigging & equipment capacitance
Note: CL = 50pF for model IQXO-62 and 15pF for model IQXO-63

Test Circuit - TTL (IQXO-62)



*Inclusive of jigging & equipment capacitance

Outline in mm (inches) - Tape



Outline in mm (inches) - Reel (scale 1:8)

