

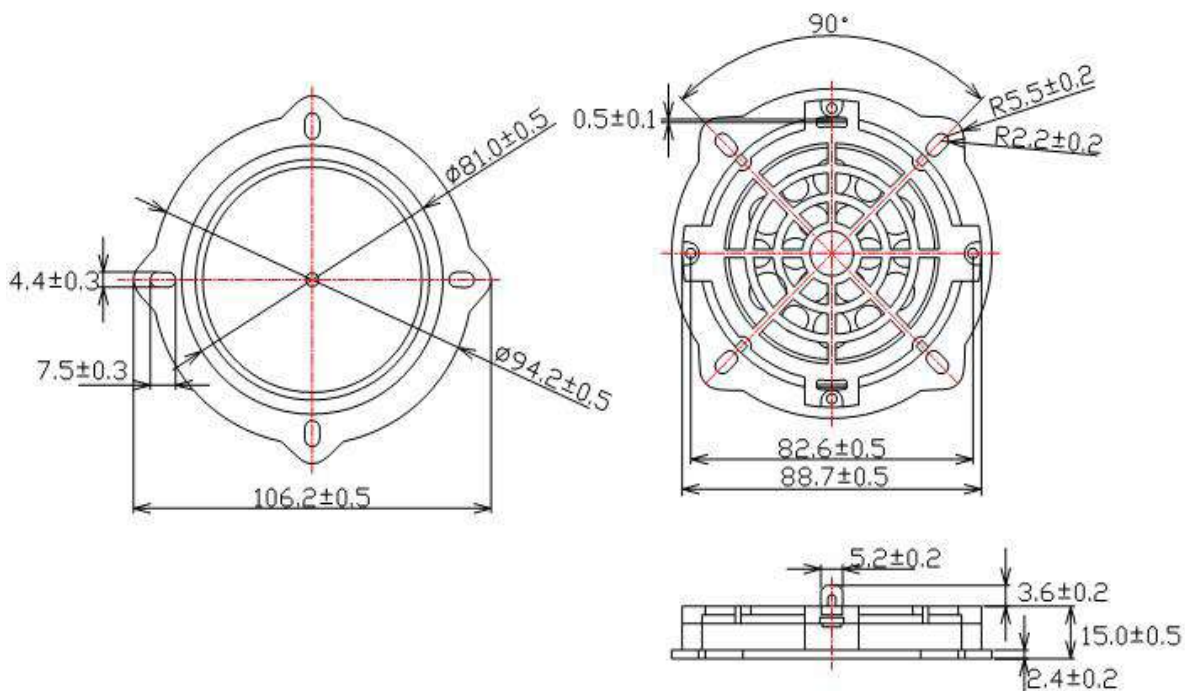
压电扬声器规格书

PIEZO-CERAMIC SPEAKER SPECIFICATION

1. Part number: JYKDS-9515
2. Product Name: PIEZO-CERAMIC SPEAKER
3. Electrical Performance

输出声压	Sound Pressure Level	80dB min.at1.0kHz 2.83Vrms Sine Wave/30cm
共振频率	Resonant Frequency	0.5 ~ 20.0kHz
静态电容	Capacitance	1400nF±30% at 1.0kHz
工作电压	Working Voltage	2.83Vrms Sine Wave
最大工作电压	Maximum Working Voltage	4.00Vrms Sine Wave
额定功率	Rated Power	2W
工作温度	Operating Temperature Range	-20°C ~ +70°C
贮存温度	Storage Temperature Range	-30°C ~ +80°C

4. Appearance and Dimensions



5. Frequency Features Curve

