

Specification for Magnetic Transducer	Page	2/7
	Revision No.	1.0
Model No. : KPMB-G47B23RY100LF-10850	Drawing No.	OEM10850R

CONTENTS

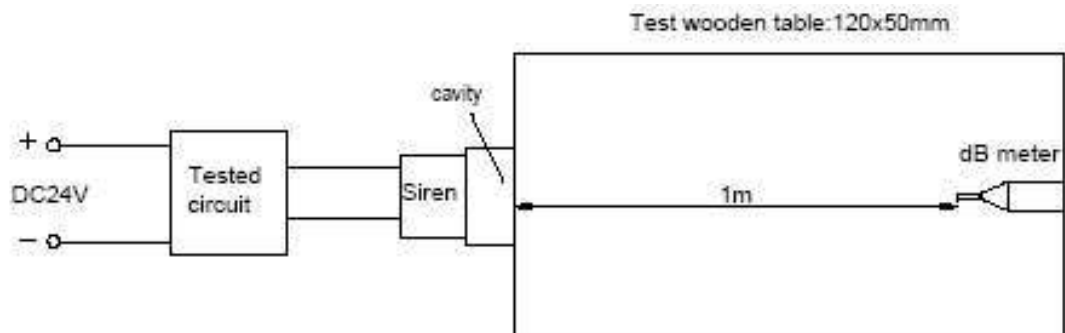
- 1.Characteristics**
- 2.The Tested Method**
- 3.Reliability Test**
- 4.Drawing**
- 5.Packing**
- 6.Revision**

Specification for Magnetic Transducer Model No. : KPMB-G47B23RY100LF-10850	Page	3/7
	Revision No.	1.0
	Drawing No.	OEM10850R

1. Characteristics

NO.	Items	Specifications
1	Rated Voltage	10Vp-p
2	Operating Voltage range	1~30Vp-p
3	Coil Resistance	23 Ω \pm 2 Ω
4	Minimum SPL at 1m	105dB (at 1m 1KHz 24V Test by tested Circuit and cavity)
5	Sensitivity at 1kHz 1000mV	\geq 110dB
6	Frequency range	300~3400Hz
7	Operating Temperatuer	-40~+85°C
8	Storage Temperatuer	-50~+95°C
9	Housing Material	Aluminum
10	Terminal Material	Sn Plated Copper
11	Weight	28g
12		

2.The Tested Method



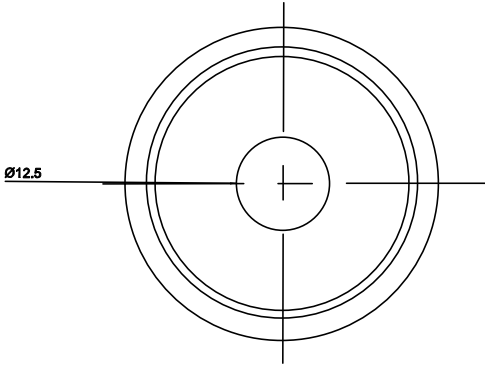
Specification for Magnetic Transducer Model No. : KPMB-G47B23RY100LF-10850	Page	4/7
	Revision No.	1.0
	Drawing No.	OEM10850R

3. Reliability Test

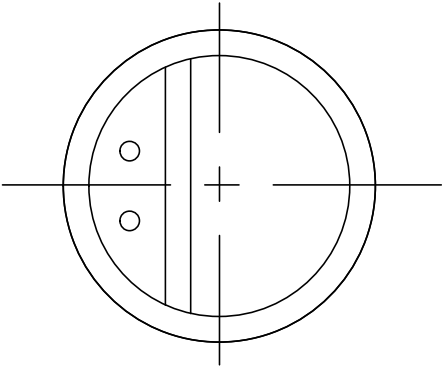
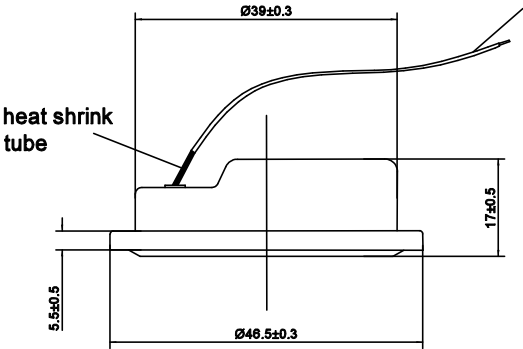
	Item	Specification
1	High temperature test	Temperature +95°C Duration 96hrs Temperature +260°C Duration for 5 minutes
2	Low temperature test	Temperature -50°C Duration 96hrs
3	Temperature cycle test	Cycles 5
4	Humidity cycle test	Cycles 5 <p>All these tests above should be measured after leaving normal temperature for 2hrs.</p>
5	Drop Test	Height: 70cm (to 10mm thickness woodenboard) Direction 3 Notice: All specification must be satisfied in this condition
6	Waterproof test	Temperature +40°C Deep 1m Time 30 minutes

Specification for Magnetic Transducer Model No. : KPMB-G47B23RY100LF-10850	Page	5/7
	Revision No.	1.0
	Drawing No.	OEM10850R

6. Dimensions



UL1430 AWG26# 7/0.16
Length: 100±2m



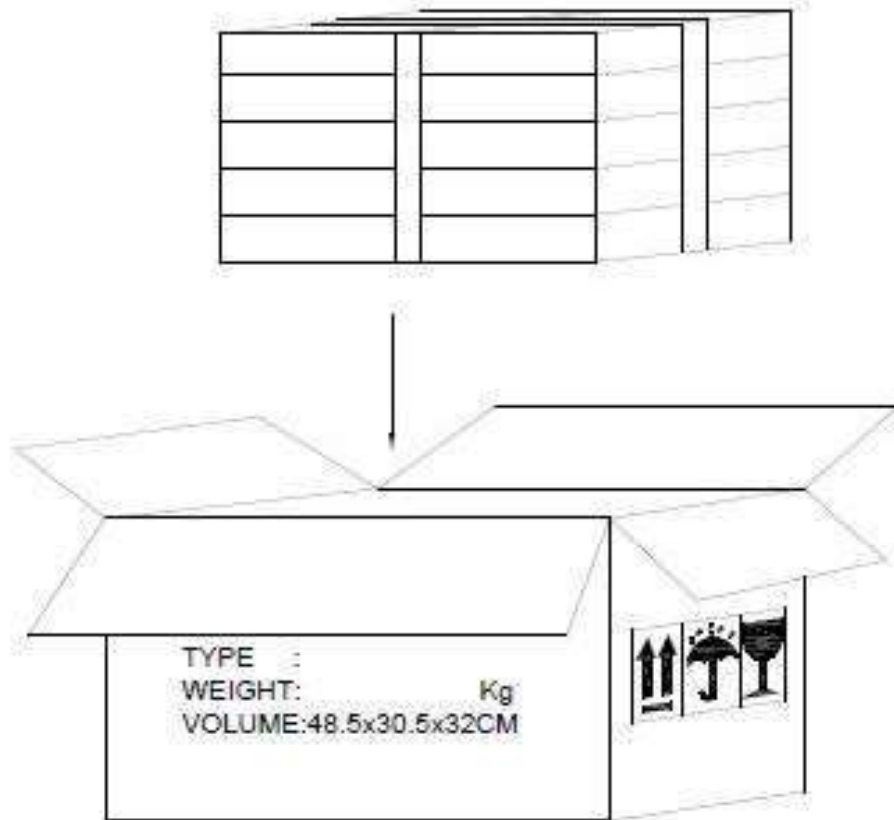
出线柱不打胶，采用新UV胶水YS-518

FIRST ANGLE PROJECTION

UNIT : mm
Tolerance : ±0.2

Specification for Magnetic Transducer Model No. : KPMB-G47B23RY100LF-10850	Page	6/7
	Revision No.	1.0
	Drawing No.	OEM10850R

5. Packing



- 1)70pcs/tray
- 2)5tray/carton
- 3)350 pcs/carton in total
- 4)carton size 48.5X30.5X32cm

