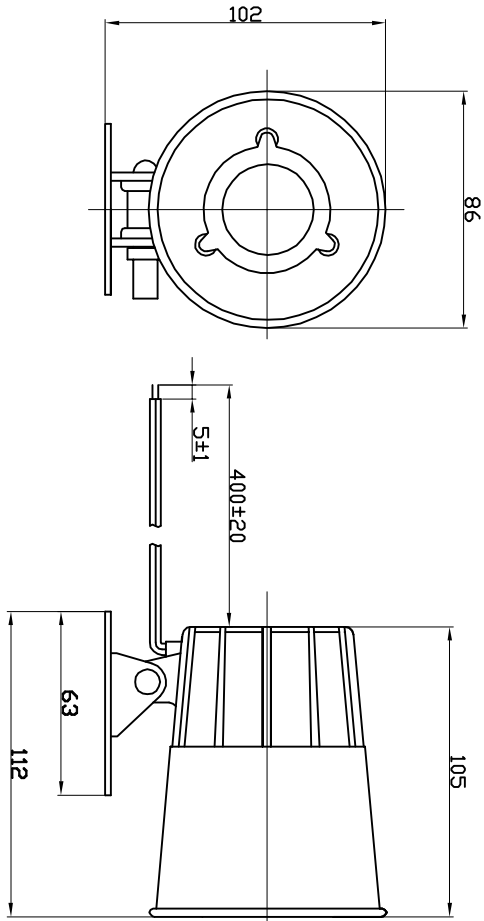
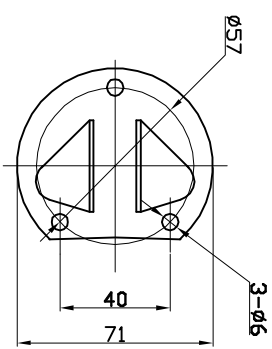


# Specification

(Test Condition, 25 °C)



1. Housing Material/ Color..... ABS / White
2. Voice Coil Impedance ..... 6 Ohm (at 1 KHz)
3. Voice Coil Dimension ..... Ø 25.4 mm(Dia.)
4. Magnet Size ..... Ø60\*32\*10 mm(Dia.\*dim.\*H)
5. Power Rating RMS ..... 15 W
6. Power Rating Peak ..... 20 W
7. Rated Voltage ..... 12 VDC
8. Range Voltage ..... 6--14 VDC
9. S.P.L. .... min. 108 dB(at 1 meter, 12VDC)
- 10.Tone Nature ..... Siren
11. Current Draw ..... 750 mA Max. (at 12 VDC)
12. Load Test ..... 8 Hours (at 12 VDC)
13. Heat Test ..... 8 Hours (at 60 °C)
14. Operating Temperature range ..... -20 ~ +60 °C
15. Wires Connection ..... Red +12V  
Black GND
16. Weight ..... 365 ±10 g



No.		DESCRIPTION		APPROVED		DATE		UNIT		DRAWING		SCALE		SHEET		VER	
X X X X X X		FORMED COIL MAGNET SPEAKER HOUSING WIRE		DRAWN		APPROVED		DATE		mm		NOT TO SCALE		OEM719		1/1	
KEPO		NINGBO KEPO ELECTRONIC CO.,LTD															
Electronic Siren		Havano															
KPS-86T15B-1M																	
http://www.chinaacoustic.com																	