

# SHOULDER

## SPECIFICATION

<b>Item:</b>	Ceramic Filter
<b>Type:</b>	LTS...W

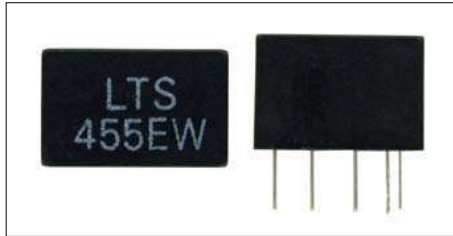




## LTS...W

### Scope

This specification shall cover the characteristics of the XT...MB Ceramic Filter.



Ceramic Filters LTM 455/450W Series are miniaturized versions of the CFU/CFWS lines. These compact, highly selective characteristics are recommended for use in applications ranging from two-way radio to auxiliary filters in high class transceivers. These ultra-miniature versions consume approximately 40% less volume while still offering the same high performance characteristics.

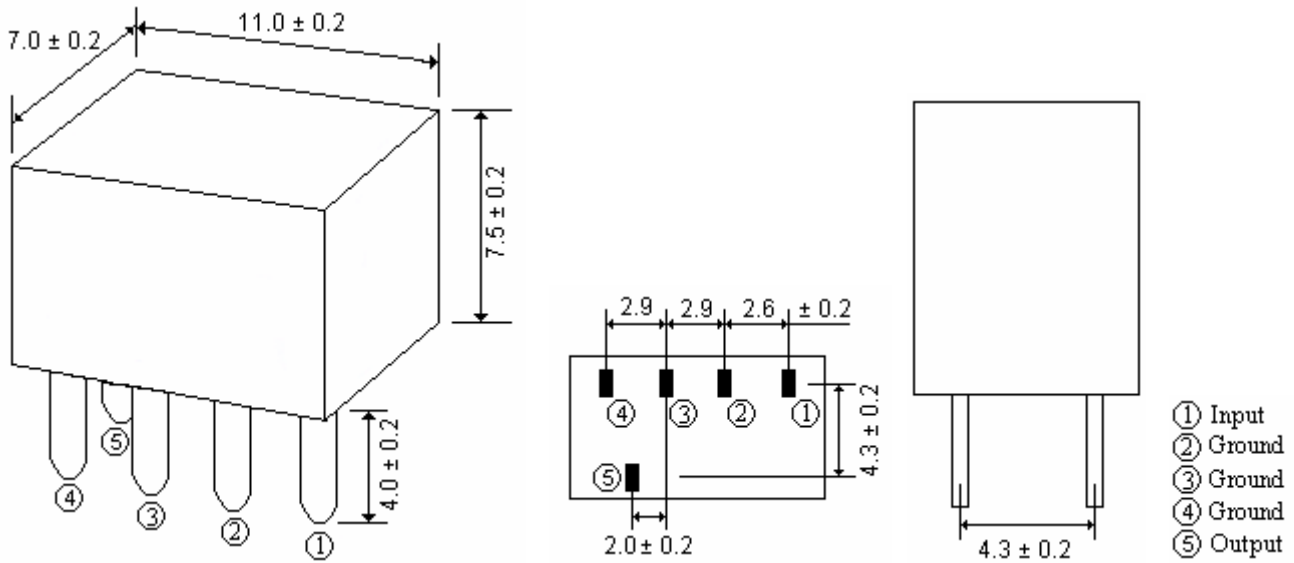
Table 1

Part Number	Center Frequency In (KHz)	Insertion Loss (dB)	Pass Band Ripple (dB) max	6dB Bandwidth (KHz) min	50dB Bandwidth (KHz) min	Stop Band Att. 10KHz (dB) min	Input/Output Impedance (Ω)
LTS450BW	450 ± 2.0	4	2	±15	±30	45	1500
LTS455BW	455 ± 2.0	4	2	±15	±30	45	1500
LTS450CW	450 ± 2.0	4	2	±12.5	±24	45	1500
LTS455CV	455 ± 2.0	4	2	±12.5	±24	45	1500
LTS450DW	450 ± 1.5	4	2	±10	±20	45	1500
LTS455DW	455 ± 1.5	4	2	±10	±20	45	1500
LTS450EW	450 ± 1.5	6	2	±7.5	±15	45	1500
LTS455EW	455 ± 1.5	6	2	±7.5	±15	45	1500
LTS450FW	450 ± 1.5	6	2	±6	±12.5	45	2000
LTS455FW	455 ± 1.5	6	2	±6	±12.5	45	2000
LTS450GW	450 ± 1.5	6	2	±4.5	±10	45	2000
LTS455GW	455 ± 1.5	6	2	±4.5	±10	45	2000
LTS450HW	450 ± 1.0	6	2	±3	±9	45	2000
LTS455HW	455 ± 1.0	6	2	±3	±9	45	2000
LTS450IW	450 ± 1.0	6	2	±2	±7.5	45	2000
LTS455IW	455 ± 1.0	6	2	±2	±7.5	45	2000
LTS450HTW	450 ± 1.0	6	2	±3	±9	60	2000
LTS455HTW	455 ± 1.0	6	2	±3	±9	60	2000

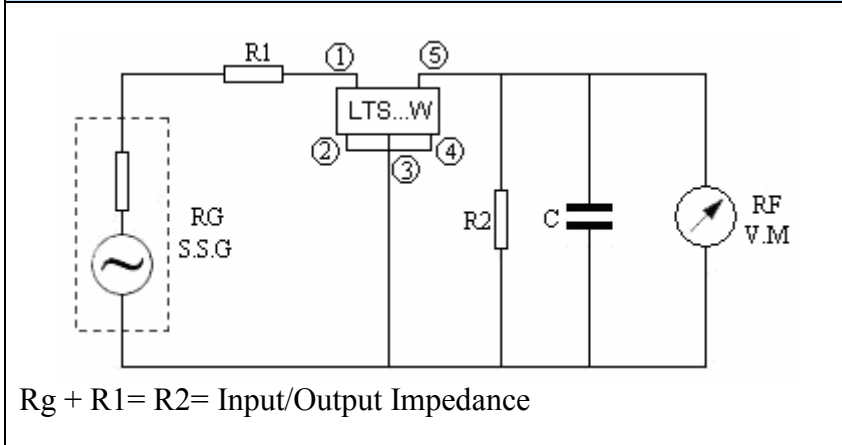


LTS...W

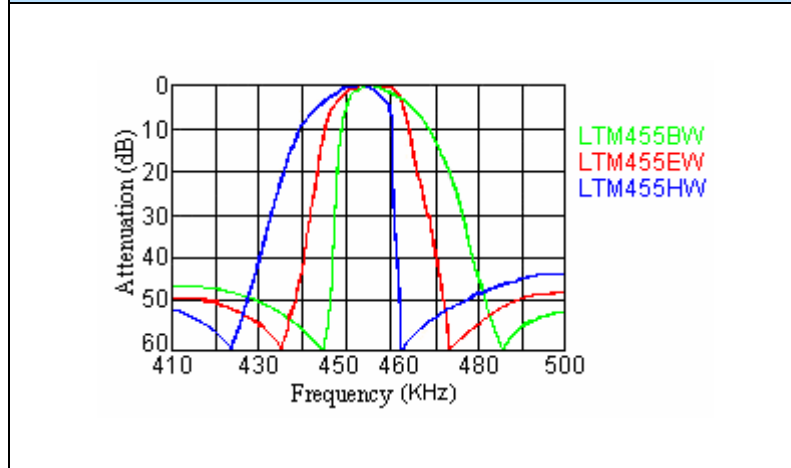
### Mechanical Dimensions (All in mm) LTS...W



### Test Circuit LTS...W



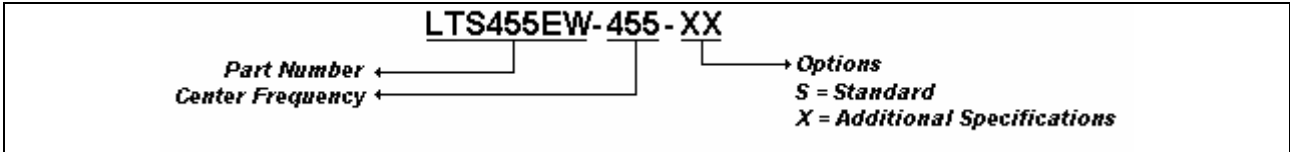
### Series Characteristics LTS...W





## LTS...W

### Through Hole Ceramic Filter Part Numbering System (Example)



LTS455EW	455	S
↕	↕	↕
Part Number	Center Frequency In (KHz)	Option (can be blank)
See Table (1)	See Table (1)	S = Standard X = Additional Specifications