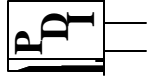
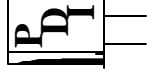


# Precision Devices, Inc.



8840 N. Greenview Dr.  
Middleton, WI 53562  
Phone: 608-831-4445  
1-800-274-XTAL  
Fax: 608-831-3343



Visit our web site at [www.pdixtal.com](http://www.pdixtal.com)

Sales Information [sales@pdixtal.com](mailto:sales@pdixtal.com)

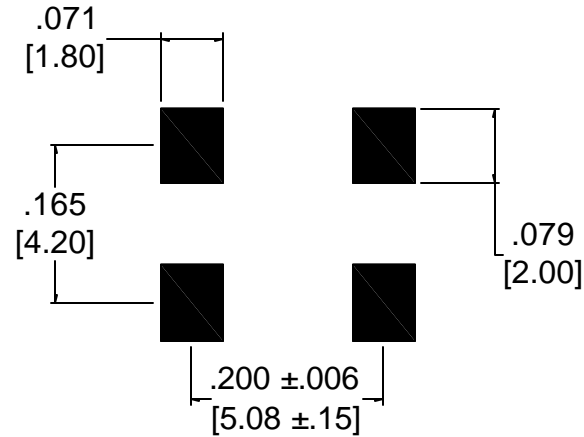
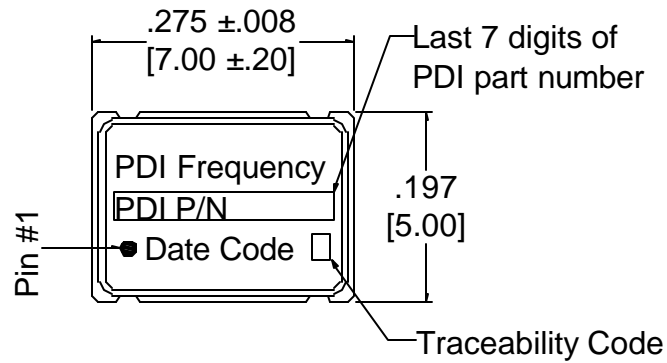
## Electrical Specifications

- Center Frequency (Fo): 37.056000 MHz
- Output: Squarewave
- Frequency Tolerance @ 25°C:  $\pm 50$ ppm (All Inclusive)
- Operating Temperature Range (w/o Loss of Function): 0°C to +70°C
- Frequency Stability over Temperature:  $\pm 20$ ppm
- Storage Temperature Range: 0°C to +70°C
- Duty Cycle: Symmetry 45% minimum, 55% maximum (Load 30pf, 10%-90% Waveform)
- Output Rise Time: 5.0nSec maximum (Load 30pf, 10%-90% of Waveform)  
Output Fall Time: 5.0nSec maximum (Load 30pf, 10%-90% of Waveform)
- Current Drain: 40mA maximum
- Aging:  $\pm 5$ ppm/10 years
- Supply Voltage: +3.3Vdc  $\pm 10\%$
- Jitter: 50ppm pSec. maximum
- Warp Range (w.r.t. Fo):  $\pm 0$ ppm to  $\pm 25$ ppm
- Start-Up Time: 10mSec maximum
- Output Amplitude:  $V_{oh} = V_{cc} - 0.5$  maximum,  
Vol = 0.5 minimum - 0.4 maximum  
Capacitance Load: 30pf

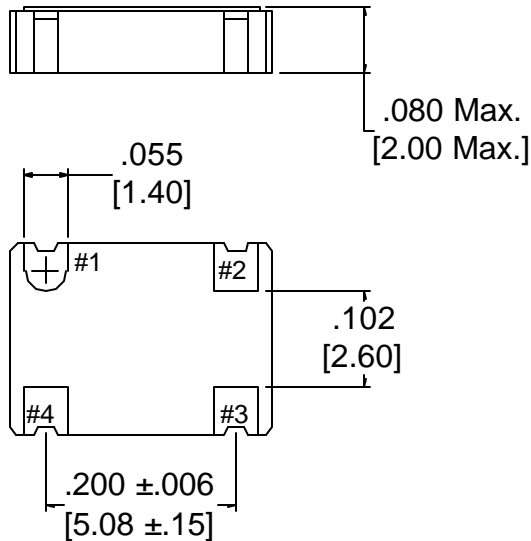
Note: Additional Electrical Specifications per Customer Drawing: 48R86753HXX

The information contained in this drawing is the sole property of Precision Devices Inc. Any reproduction in part or as a whole without the written permission of Precision Devices Inc. is prohibited.

| REV. | DATE | PAGE | DESCRIPTION | Auth. | ECN | FOR PRELIMINARY USE ONLY<br>Specifications subject to change without notice. |        |             |      |
|------|------|------|-------------|-------|-----|--|--------|-------------|------|
|      |      |      |             |       |     | TITLE  | FKA    | 4210        |      |
|      |      |      |             |       |     | Crystal Clock Oscillator Assembly  |        |             |      |
|      |      |      |             |       |     | PART NUMBER <b>OC7E37056XCCAXA</b>   |        |             |      |
|      |      |      |             |       |     | DATE   | SCALE  | ECN.        | REV. |
|      |      |      |             |       |     | 3/5/07   | N.T.S. | N/A         | N/A  |
|      |      |      |             |       |     | SIZE   | CAGE   | Page 1 of 2 |      |
|      |      |      |             |       |     | A  | OS4G1  |             |      |



Recommended Land Pattern



| PIN | Connection     |
|-----|----------------|
| 1   | Enable/Disable |
| 2   | Ground         |
| 3   | Output         |
| 4   | Vcc            |

# Precision Devices Inc.

8840 N. Greenview Dr.  
Middleton WI 53562  
608-831-4445  
1-800-274-XTAL



Manufacturer of Quartz Crystal Products

|                                  |   |                                       |                              |
|----------------------------------|---|---------------------------------------|------------------------------|
| DECIMAL<br>XX=±.020<br>XXX=±.008 | DWG FILE<br><b>4210</b>                           | PART NUMBER<br><b>OC7E37056XCCAXA</b> |                              |
|                                  | SCALE<br><b>N.T.S.</b>                            | FREQUENCY<br><b>37.056 Mhz</b>        | DRAWN BY<br><b>D. Gibney</b> |
| METRIC<br>XX=±.50<br>XXX=±.20    | DRAWING TYPE<br>Crystal Clock Oscillator Assembly |                                       | DATE<br><b>3/5/07</b>        |
| ANGULAR<br>XX=±2°                | REV. LEVEL<br><b>N/A</b>                          | ECN NO.<br><b>N/A</b>                 | CAGE CODE<br><b>OS4G1</b>    |