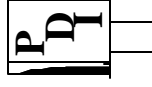


Precision Devices, Inc.



8840 N. Greenview Dr.
Middleton, WI 53562
Phone: 608-831-4445
1-800-274-XTAL
Fax: 608-831-3343



Visit our web site at www.pdixtal.com

Sales Information sales@pdixtal.com

Electrical Specifications

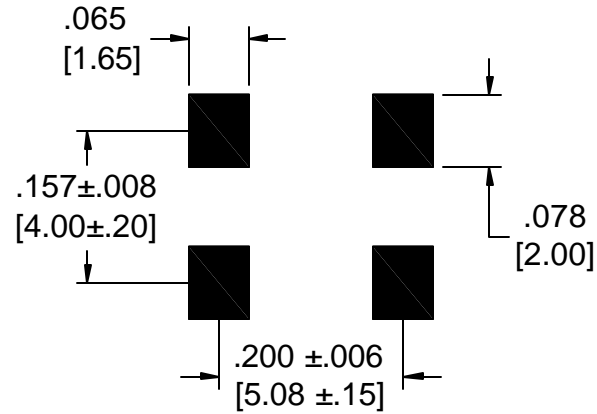
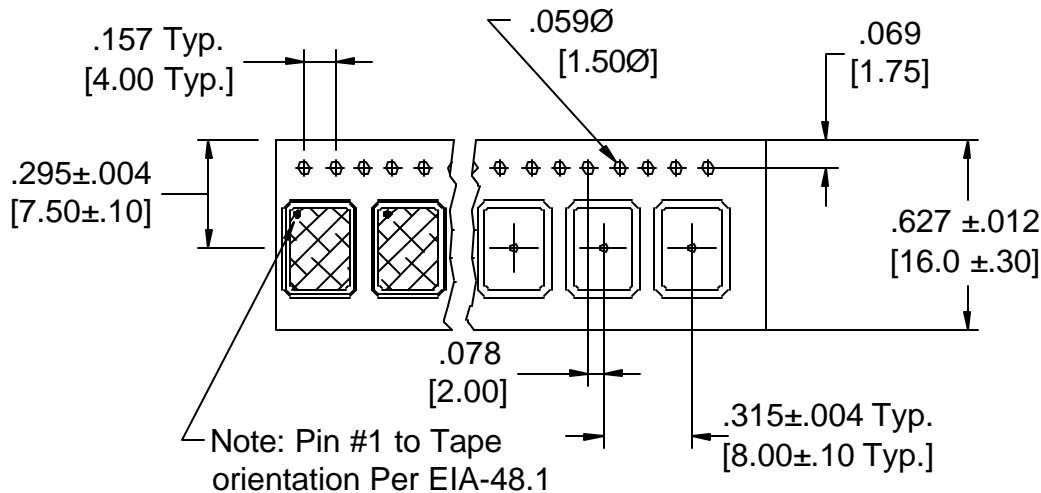
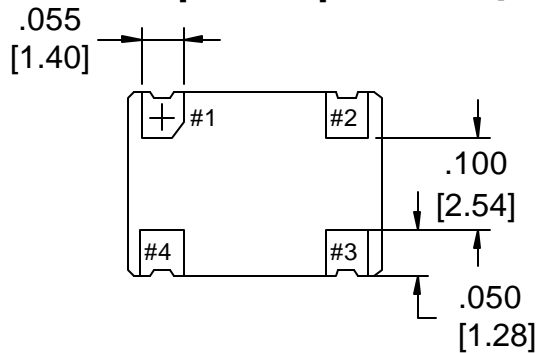
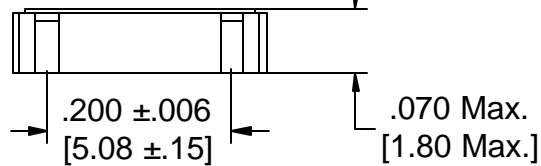
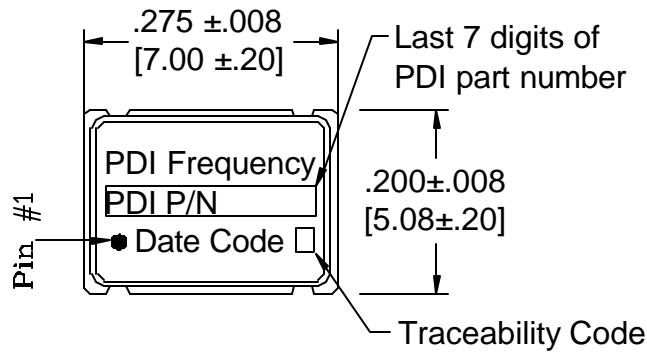
- Center Frequency: 131.072000 MHz
- Output: TTL/CMOS
- Frequency Tolerance @ 25°C: See Frequency Stability
- Operating Temperature Range: -40°C to +85°C
- Frequency Stability: ± 100 ppm (Including Calibration @25°C, Operating Temperature, Supply Voltage Variations, Aging 20 years)
- Storage Temperature Range: -55°C to 125°C
- Duty Cycle (TTL @1.4V, CMOS @50%Vcc): 40% /60%
- T-Rise, T-Fall: 3.0nS maximum
- Supply Current: 80mA maximum
- Supply Voltage: +3.3Vdc ± 0.15 Vdc
- Output Voltage: TTL at 0.4V to 2.4V
Output Voltage: CMOS at 10%Vcc to 90%Vcc
- Load Capacitance: 15pf
- Phase Jitter: 40ps maximum (peak to peak)
- Fanout (1 to 5 gates): 1.6mA/gate

Note:

- 1) 6 days aging Minimum @ 105°C**
- 2) 24 hour settle time before 100% testing @ 25°C**
- 3) Sample Perturbation Test Every 1°C: ± 5 ppm Maximum**

The information contained in this drawing is the sole property of Precision Devices Inc. Any reproduction in part or as a whole without the written permission of Precision Devices Inc. is prohibited.

REV.	DATE	PAGE	DESCRIPTION	Auth.	ECN	Originator	Date	Engineering	Date
						J.L.	10/24/08	C.S.	10/24/08
						TITLE Ceramic Crystal Oscillator Assembly		FKA 6493R	
						PART NUMBER OC7EC13107CDDR			
						DATE 10/24/08	SCALE N.T.S.	ECN. E0835	REV. A
A	10/08	1	Changed Perturbation testing per engineering request	J.L.	E0835	SIZE A	CAGE 0S4G1		Page 1 of 2



Recommended Land Pattern

PIN	Connection
1	Enable/Disable
2	Ground
3	Output
4	Vcc



Precision Devices Inc.

8840 N. Greenview Dr.
Middleton WI 53562
608-831-4445
1-800-274-XTAL

Manufacturer of Quartz Crystal Products

DECIMAL XX=±.020 XXX=±.008	DWG FILE 6493R	PART NUMBER OC7EC13107CDDR	
METRIC XX=±.50 XXX=±.20	SCALE N.T.S.	FREQUENCY 131.072000 MHz	DRAWN BY J.Lawinger
ANGULAR XX=±2°	REV. LEVEL A	ECN NO. E0835	DATE 10/24/08
		CAGE CODE 0S4G1	Page 2 of 2