

# SPECIFICATION

Customer :

Applied To :

受 控

Product Name : High Sonic Transducer

Model Name : PCT-G4501C-K8624




Drawing No. : OEM8624

Compliance with ROHS(本品符合ROHS指令)

Signature of Approval

--

Signature of KEPO

Approved by	Checked by	Issued by	Date
			



## 宁波凯普电子有限公司

宁波东钱湖镇东钱湖工业区宝源路25号  
TEL:+86-574-88370330 FAX:+86-574-88370329  
No.25 Baoyuan road Dongqian Lake, Industry Area, Dongqian town,  
Ningbo City,China(Post Code:315121)  
[Sales@chinaacoustic.com](mailto:Sales@chinaacoustic.com) [www.chinaacoustic.com](http://www.chinaacoustic.com)

Specification for Ultra Sonic Transducer	Page	2/10
	Revision No.	1.1
	Drawing No.	OEM8624
Model No. : PCT-G4501C-K8624		

## CONTENTS

1. Scope  
范围
2. General  
概要
3. Electrical and Acoustic Characteristics.  
电声参数
4. Reliability Test  
可靠性试验
5. Measurement Block Diagram & Response curve  
测试图和曲线图
6. Structure  
结构
7. Dimensions  
尺寸
8. Packing  
包装
9. Revision  
履历表

Specification for Ultra Sonic Transducer	Page	3/10
	Revision No.	1.1
	Drawing No.	OEM8624

Model No. : **PCT-G4501C-K8624**

## 1. Scope

This product specification is applied to the Ultra Sonic Transducer in alarm systems. Please contact us when using this product for any other applications than described in the above.

本规格书适用于超声波声响器，通常它用在系统中做报警或提示的声响器用，如果将该产品用于其它领域，请与我们联系。

## 2. General

2.1 Out-Diameter : **Ø45.5 mm**

外径: **Ø45.5 mm**

2.2 Height : **13.9 mm**

高度: **13.9 mm**

2.3 Weight : **9 g**

重量: **9克**

2.4 Operating Temperature range:

**-20~+70°C** without loss of function

工作温度: **-20~+70°C**

2.5 Store Temperature range:

**-30~+70°C** without loss of function

储藏温度: **-30~+70°C**

## 3. Electrical and Acoustic Characteristics.

Test condition : 15 ~ 35 °C, 25% ~ 85% RH, 860~1060 mbar

测试条件: 15~35 °C, 25%~85%RH, 860~1060mbar

	Items 项目	Specification 规格
1	Rated Voltage 额定电压	<b>12Vp-p Square Wave</b>
2	Operating Voltage 工作电压	<b>3-30Vp-p Square Wave</b>
3	Resonant Frequency 谐振频率	<b>3.3KHz</b>
4	Rated Frequency Range 频率范围	<b>3.3±0.5KHz</b>
5	Min.Sound Pressure Level 额定声压	<b>97dB at 3.3KHz/12Vp-p Square Wave/30cm</b>
6	Capacitance at 100Hz 电容量 (at 100Hz)	<b>180nF±30%</b>
7	Case Material/Color 壳体材质/颜色	<b>PA66/BLACK</b>

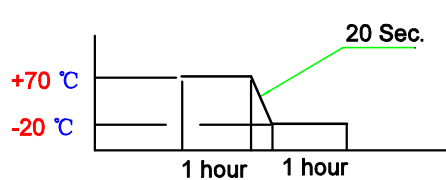
Specification for Ultra Sonic Transducer	Page	4/10
	Revision No.	1.1
	Drawing No.	OEM8624

Model No. :PCT-G4501C-K8624

## 4. Reliability Test

After test(1~7item), the Ultra Sonic Transducer S.P.L . difference shall be within  $\pm 10\text{dB}$ , and the appearance not exist any change to be harmful to normal operation(e.g. cracks,rusts,damages and especially distortion).

在1-7项试验后，声响器的声压变化值在 $\pm 10\text{dB}$ 之内，外观无变化（例如：开裂、生锈、损伤、变形等现象）。

	Item	Specification
1	高温放置 Dry Heat Test (Storage)	<p>After being placed in a chamber with <math>+70\pm 2^\circ\text{C}</math> for 240 hours and then being placed in natural condition for 4 hours, sounder shall be measured.</p> <p>放置于温度<math>+70\pm 2^\circ\text{C}</math>的烘箱内240小时，然后取出，在常温下放置4小时后，测试声响器。</p>
2	低温放置 Cold Test (Storage)	<p>After being placed in a chamber with <math>-30\pm 2^\circ\text{C}</math> for 240 hours and then being placed in natural condition for 4 hours, sounder shall be measured.</p> <p>放置于温度<math>-30\pm 2^\circ\text{C}</math>的制冷箱内240小时，然后取出，在常温下放置4小时后，测试声响器。</p>
3	Humidity Test 潮湿试验	<p>After being placed in a chamber with 90 to 95%R.H. at <math>+40\pm 2^\circ\text{C}</math> for 2 h and then being placed in natural condition for 2h , sounder shall be measured.</p> <p>将产品置于湿度为 90~95%R.H，温度为<math>40\pm 2^\circ\text{C}</math>试验箱中 2小时，然后在正常大气压条件下恢复2小时后，进行测量</p>
4	Thermal Shock Test 热冲击试验	<p>After being worked in a chamber at <math>+70\pm 2^\circ\text{C}</math> for 1 hour, then sounder shall be placed in a chamber at <math>-20\pm 2^\circ\text{C}</math> for 1 hour(1 cycle is the below diagram).</p> <p>After 6 above cycles, sounder shall be measured after being placed in natural condition for 1 hour.</p> <p>将产品置于<math>+70\pm 2^\circ\text{C}</math>试验箱中，先工作1小时，然后将产品置于<math>-20\pm 2^\circ\text{C}</math>试验箱中，再工作1小时，经过6个循环后，在正常大气压条件下恢复1小时，进行测量</p> 

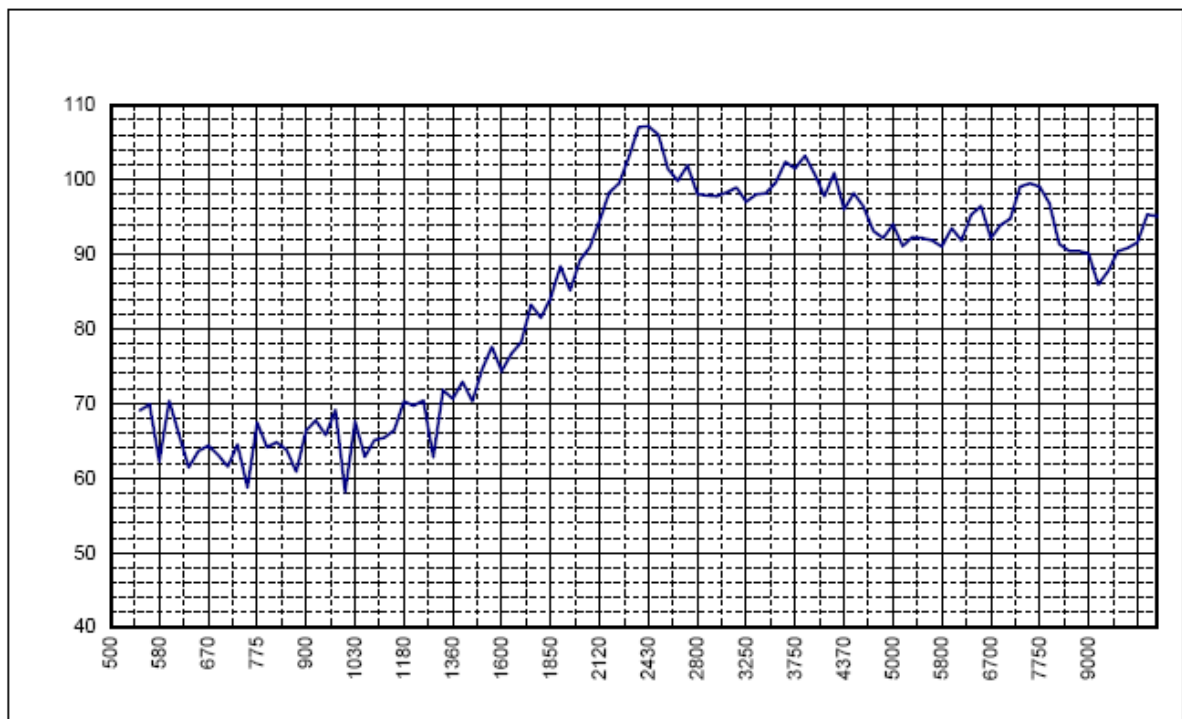
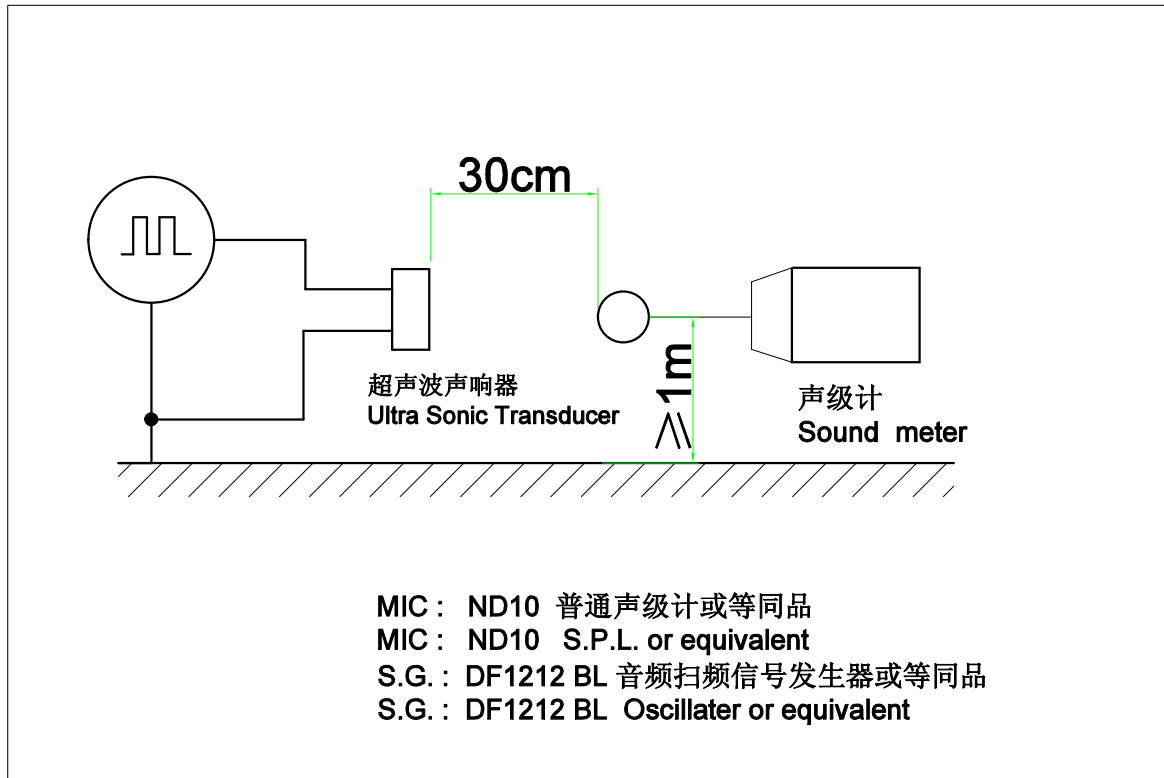
Specification for Ultra Sonic Transducer Model No. : <b>PCT-G4501C-K8624</b>	Page	5/10
	Revision No.	1.1
	Drawing No.	OEM8624

## 4. Reliability Test

	Item	Specification
5	Vibration Resistance 振动试验	<p>Sounder shall be measured after being applied vibration of amplitude of <b>1.5mm</b> with <b>10 to 30Hz</b> band of vibration frequency to each of 3 perpendicular directions for <b>2 hour</b>.</p> <p>振幅为<b>1.5mm</b>，频率为<b>10~30Hz</b>，三个不同轴方向各振动<b>2</b>小时，试验后进行测量。</p>
6	Drop Test 跌落试验	<p>Sounder packed in the carton are dropped in six direction from the height of <b>80cm</b> to the concrete floor.</p> <p>跌落高度<b>80cm</b>，<b>6</b>个不同方向整箱跌落到水泥地，试验后进行测量。</p>
7	Terminal Strength Pulling 强度试验	<p>The force <b>10 seconds</b> of <b>9.8N</b> is applied go each terminal in axial direction.</p> <p>端子应承受<b>9.8N</b>拉力，拉力时间<b>10</b>秒，插针无松动和脱落等现象。</p>

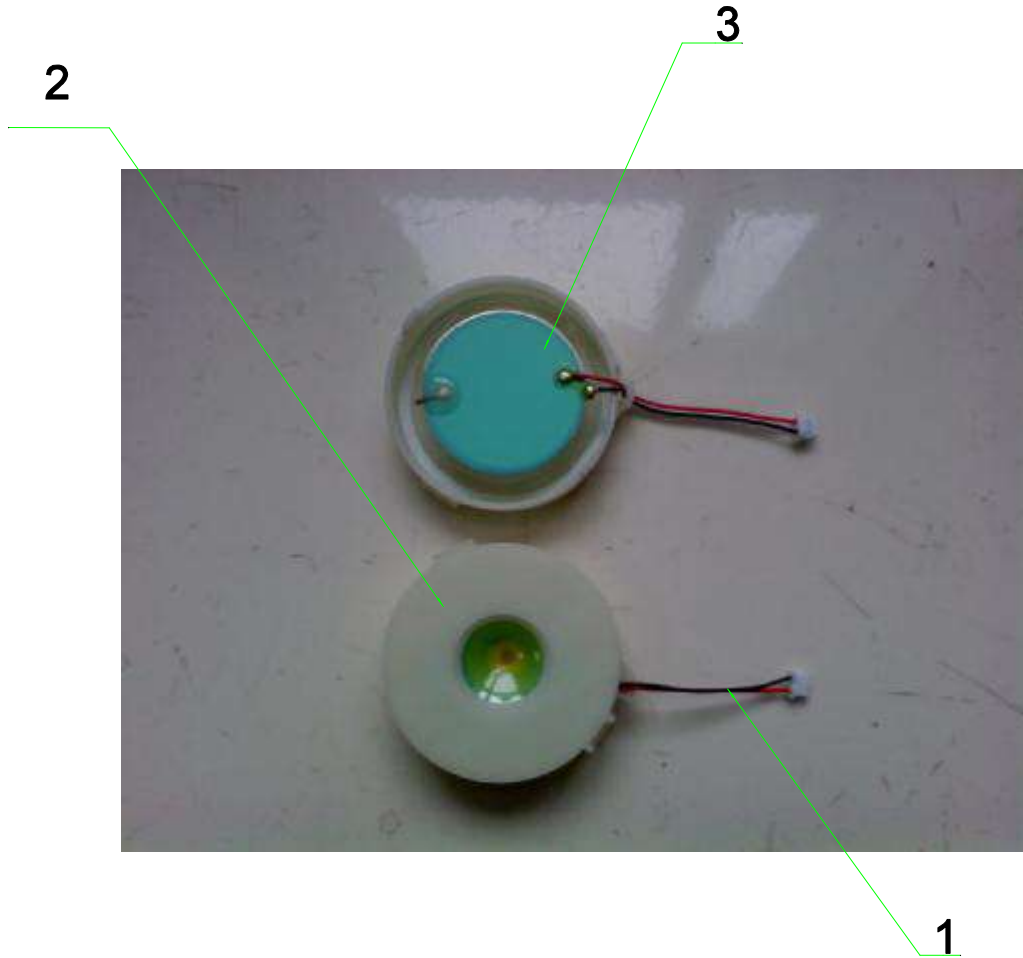
Specification for Ultra Sonic Transducer Model No. : <b>PCT-G4501C-K8624</b>	Page	6/10
	Revision No.	1.1
	Drawing No.	OEM8624

## 5. Measurement Block Diagram & Response curve



Specification for Ultra Sonic Transducer	Page	7/10
	Revision No.	1.1
Model No. : PCT-G4501C-K8624	Drawing No.	OEM8624

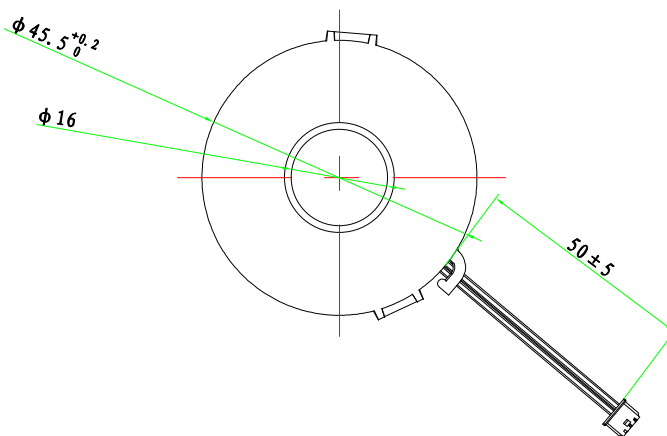
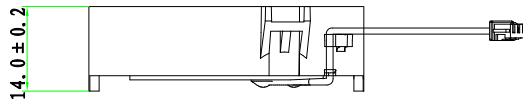
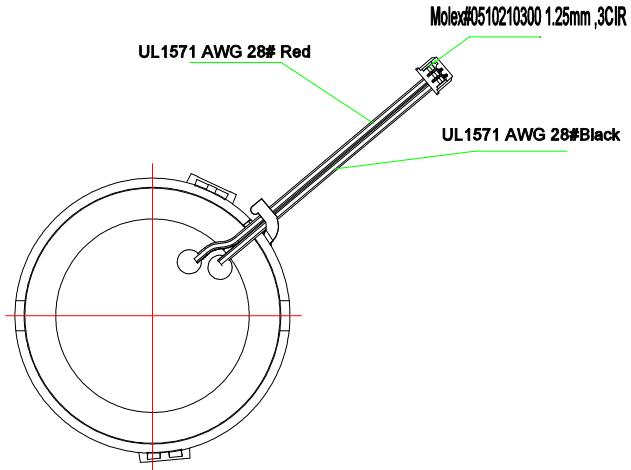
## 6. Structure



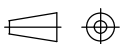
3	Element 蜂鸣片	1	piezo ceramic	
2	Case 壳体	1	PA66	
1	Plug 接插件	1	Molex#0510210300	
No.	Part Name 型号	Q'TY	Material 材质	SGS 编号

Specification for Ultra Sonic Transducer	Page	8/10
	Revision No.	1.1
Model No. : <b>PCT-G4501C-K8624</b>	Drawing No.	<b>OEM8624</b>

## 7. Dimensions



FIRST ANGLE PROJECTION



UNIT : mm  
Tolerance : ±0.5

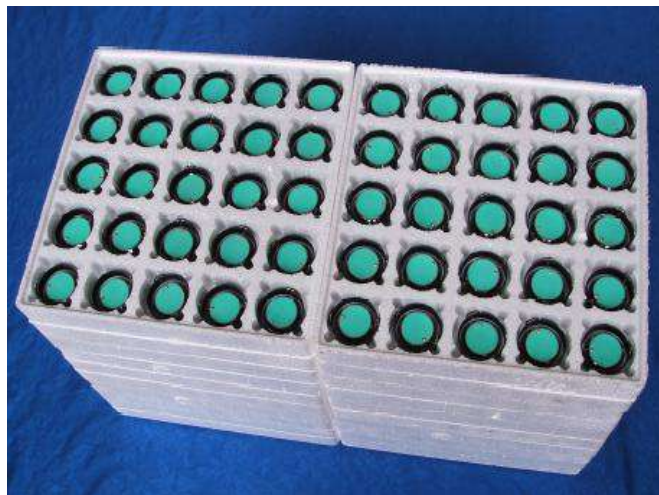


Specification for Ultra Sonic Transducer	Page	9/10
	Revision No.	1.1
	Drawing No.	OEM8624
Model No. : PCT-G4501C-K8624		

## 8. Packing



QTY: 25Pcs



QTY: 500Pcs

QTY: 500Pcs  
620 x310 x390

Specification for Ultra Sonic Transducer Model No. : PCT-G4501C-K8624	Page	10/10
	Revision No.	1.1
	Drawing No.	OEM8624

## 9. Revision

Rev. No.	DATE	PAGE	DESCRIPTION	SIGN
1.0	2012-03-28	/	primary	