



# Precision Devices, Inc.

8840 N. Greenview Dr.  
Middleton, WI 53562  
Phone: 608-831-4445  
1-800-274-XTAL  
Fax: 608-831-3343



Visit our web site at [www.pdixtal.com](http://www.pdixtal.com)

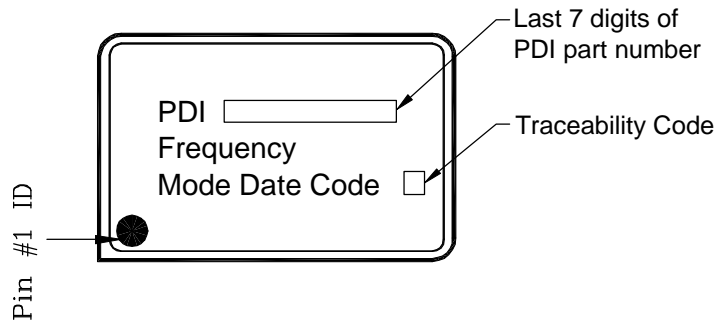
Sales Information [sales@pdixtal.com](mailto:sales@pdixtal.com)

## Electrical Specifications

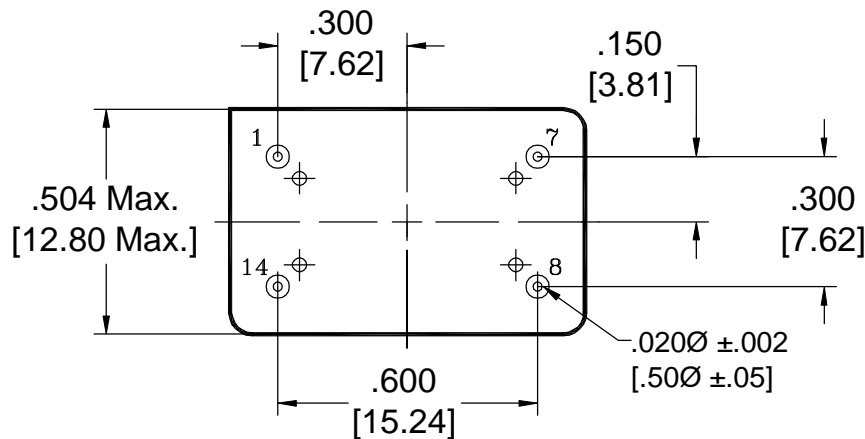
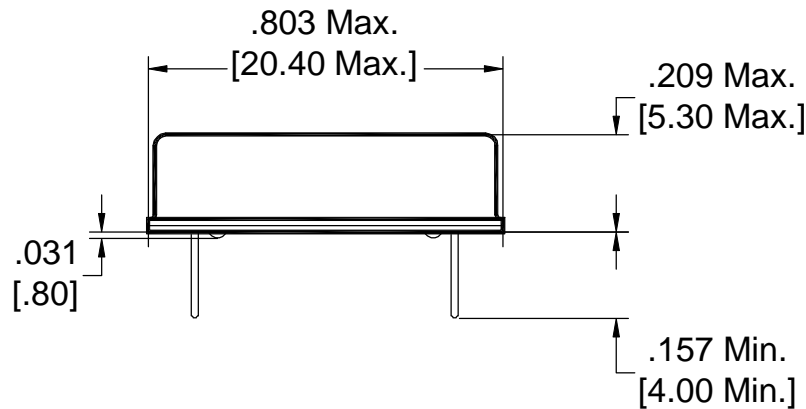
- Center Frequency: 51.840000MHz
- Output: HCMOS/TTL
- Frequency Calibration at +25°C: ±20ppm
- Operating Temperature Range: -40°C to +85°C
- Frequency Stability: ±80ppm
- Storage Temperature Range: -55°C to +125°C
- Duty Cycle: 40/60% Max., 45/55% Typ.
- Supply Current: 50mA Max. for 75MHz, 25mA Max. for 25MHz
- Supply Voltage: +5.0Vdc ±10%
- Frequency Deviation: ±50ppm

The information contained in this drawing is the sole property of Precision Devices Inc. Any reproduction in part or as a whole without the written permission of Precision Devices Inc. is prohibited.

REV.	DATE	PAGE	DESCRIPTION	Auth.	ECN	Originator	Date	Engineering	Date
						J.R.B.	2/28/05	G.M.C.	2/28/05
						TITLE Voltage Controlled Crystal Oscillator		FKA 17699	
						PART NUMBER <b>VC2051840XLSXXX</b>			
						DATE 2/28/05	SCALE N.T.S.	ECN. N/A	REV. N/A
						SIZE A	CAGE OS4G1		Page 1 of 2



Pin	Connection
1	Voltage Control
7	Ground
8	Output
14	Supply



# Precision Devices Inc.

8840 N. Greenview Dr.  
Middleton WI 53562  
608-831-4445  
1-800-274-XTAL



Manufacturer of Quartz Crystal Products

DECIMAL XX±.020 XXX±.008	DWG FILE <b>17699</b>	PART NUMBER <b>VC2051840XLSDXX</b>	
METRIC XX±.50 XXX±.20	SCALE <b>N.T.S.</b>	FREQUENCY <b>51.840000MHz</b>	DRAWN BY <b>J. Bender</b>
ANGULAR XX±2°	DRAWING TYPE Voltage Controlled Crystal Oscillator		DATE <b>2/28/05</b>
	REV. LEVEL <b>N/A</b>	ECN NO. <b>N/A</b>	CAGE CODE <b>OS4G1</b>