

# SPECIFICATION

## FOR APPRONAL

Customer : \_\_\_\_\_

Product Name : Piezo Buzzer (External-drive) \_\_\_\_\_

Model Name : VSR3585F28 \_\_\_\_\_

Drawing No. : VS20230731012 \_\_\_\_\_

### Signature of Voice

Approved by	Checkde by	Issued by	Date

 福爱斯电子有限公司  
VOISE ELECTRONICS CO.,LTD.

Address:No 96 Mogao Dongqian Lake Industial Area ningbo,China,  
Tel:0086-0574-87773030;Fax:0086-0574-87471600 P.C.315121  
<http://www.nbvoise.com> Email:sales@nbvoise.com



<b>Specification for Piezo Buzzer</b>		Page	3/5
		Revision No.	1.0
Model No.:	VSR3585F28	Drawing No.	VS20230731012

## 2. Scope

This product specification is applied to the Piezo Buzzer in alarm systems. Please contact us when using this product for any other applications than described in the above.

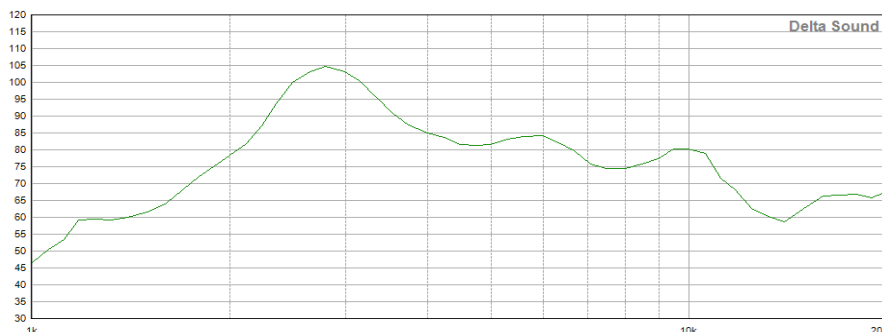
## 3. General Characteristics

- 3.1 Out-Diameter : 34.5 mm
- 3.2 Height : 8.5 mm
- 3.3 Weight : 5 g
- 3.4 Operating Temperature : -20~+60°C without loss of function
- 3.5 Store Temperature : -30~+70°C without loss of function

## 4. Electrical and Acoustic Characteristics.

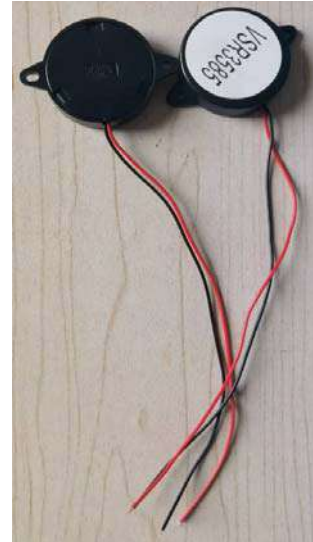
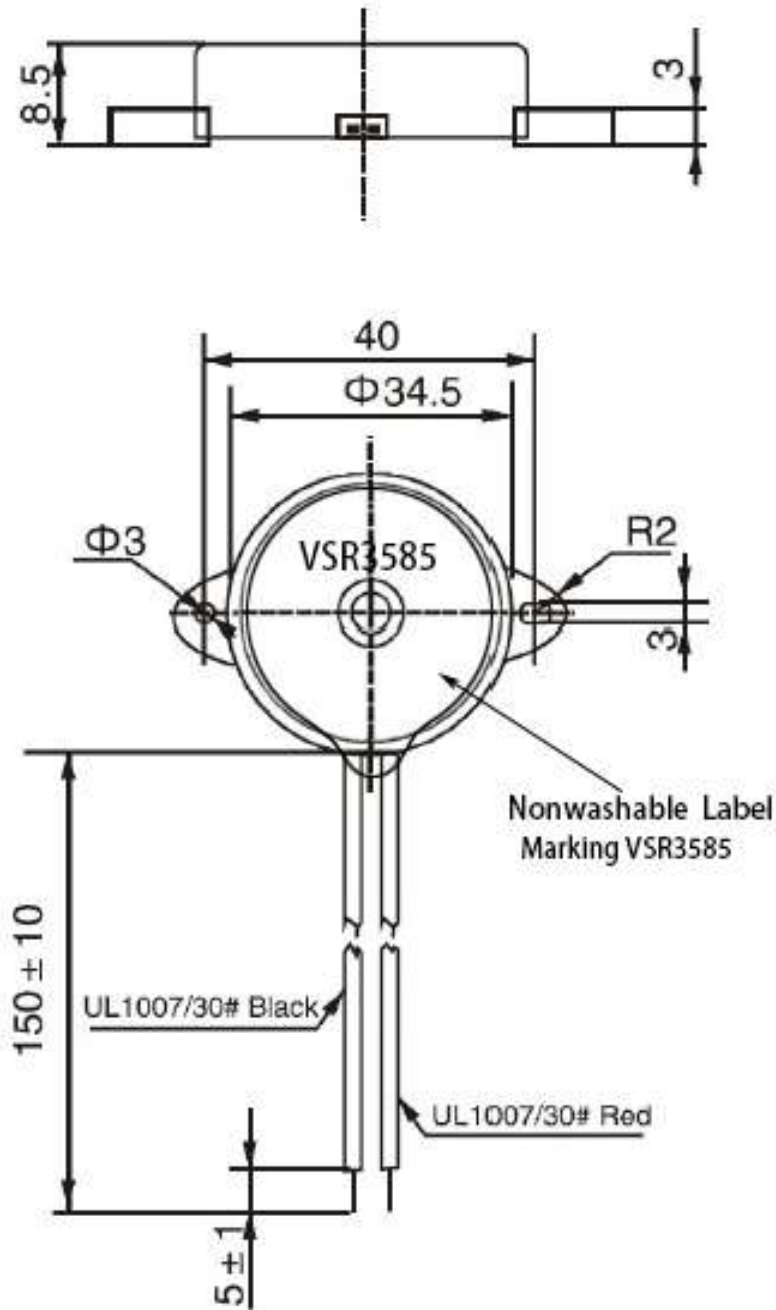
Test condition : 15 ~ 35 °C Temp., 25% ~ 75% RH, 86~106 kPa Refer to IEC60268-1

No	Items	Specification
1	Rated Voltage	12Vp-p square wave
2	Max Working Voltage	30Vp-p square wave
3	Max Rated Current	5mA at 2.8kHz/12Vp-p Square Wave
4	Min Sound Pressure Level	95dB at 2.8kHz/12Vp-p square wave/30cm
5	Resonant Frequency	2.8±0.5KHz
6	Capacitance at 120Hz	36000pF±30%
7	Tone Nature	Continuous
8	Housing Material	ABS
9	Color	Black

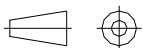


Specification for Piezo Buzzer		Page	4/5
		Revision No.	1.0
Model No.:	VSR3585F28	Drawing No.	VS20230731012

### 5. Dimensions



FIRST ANGLE PROJECTION



UNIT : mm

Tolerance :  $\pm 0.2$

Specification for Piezo Buzzer		Page	5/5
		Revision No.	1.0
Model No.:	VSR3585F28	Drawing No.	VS20230731012

## 6. Packing

Each minimum package unit of products shall be in a carton box and it shall be clearly marked with Part Number ,quantity and outgoing inspection number.

There shall be no mechanical damage on products during in storage.



100pcs/Packing