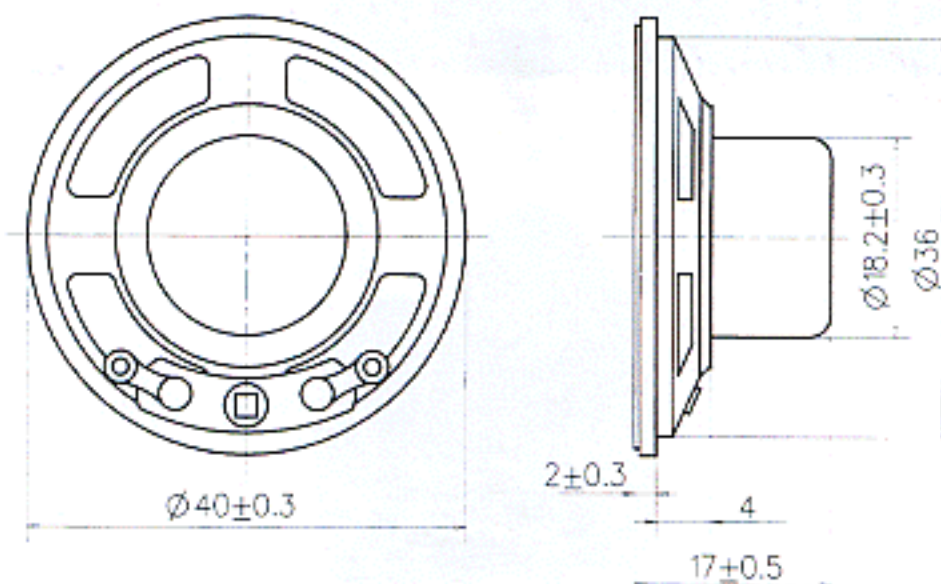


YD40-12



DIMENSIONS



SPECIFICATIONS

Rated Impedance	Ω	$8 \pm 15\%$
Rated(Max.)Power	W	0.1(0.2)
Resonance Frequency	Hz	$700 \pm 20\%$
Rated Freq.Range	Hz	$f_0 \sim 4500$
Sound Pressure Level	dB	82 ± 3
Magnet	g	5.5
Operating Temperature	$^{\circ}\text{C}$	$-10 \sim +40$

FREQUENCY RESPONSE

